

ECO TECHNOLOGY CO., LTD.

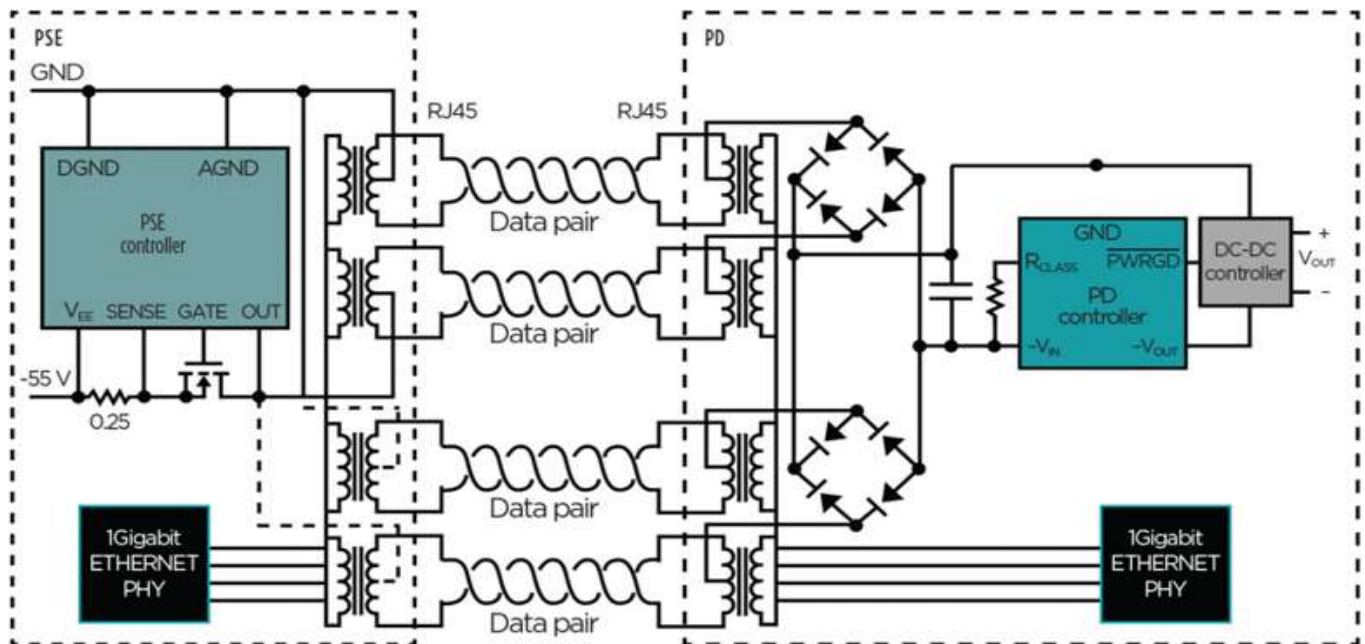
1Gigabit Magnetic Modules-70W PoE Small Footprints that packs a Punch



GS2405BIP / GS2411BIP

ECO Tech Co., Ltd is a manufacturer of communication network discreet magnetics, design for high-tech enterprises. The company adheres to "excellence, innovation, integrity management, and sustainable development". Our company has been consistently producing excellent quality network connector to industry's well-known brands, providing our customers around the world with the best quality service

Ethernet Magnetic Components has released the latest 1Gigabit magnetic module design to support Ethernet Power (PoE) in outdoor and industrial environments. The PoE development from the first standard IEEE802.3AF is indispensable, and enabled with 15W more than two already approved 40W IEEE802.3AT and 70W IEEE802.3BT standard deployments continue with innovative designs. The new GS2411BIP and GS2405BIP provide 40W&70W, respectively, when using CAT5 or the latest standard advanced cables, reducing resistance coils and transmission losses, resulting in superior temperature performance. GS2411BIP and GS2405BIP share the same small-size package, but offer different PCB layouts for easy wiring.



Operating temperatures range from -40°C to $+85^{\circ}\text{C}$, these components are suitable for a wide variety of applications including wireless access points, building controls, HVAC and lighting, remote sensing, digital video and CLOSED-circuit television cameras.

This component is compatible with all major PHY vendors, and automated mass production allows for superior reliability and repeatability while ensuring cost competitiveness.

Recommended directories:

HEAD OFFICE : Taiwan
TEL : 886 2 2791 9208
FAX : 886 2 2791 9271

ShenZhen
TEL: 86 755 2265 4565
FAX: 86 755 2265 4561

Dongguan
TEL: 86 769 8298 9853
FAX: 86 769 8280 2057

E-mail : sales-tw@tag-tech.cn URL: www.tag-tech.cn

TAG TECHNOLOGY CO., LTD.

1Gigabit Magnetic Modules

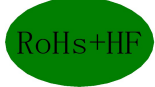
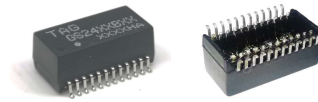
IEEE802.3at/bt Compliance For PoE

Designed to exceed IEEE802.3au

Compatible with all Major PHYs

Up to 70W PoE over 100m of UTP

Ideal for Wireless Access Points, Building Control, HVAC, Lighting, Remote Sensing, Digital Video and CCTV Cameras



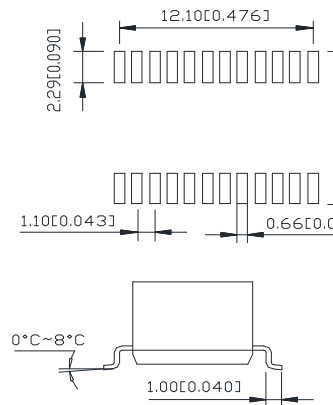
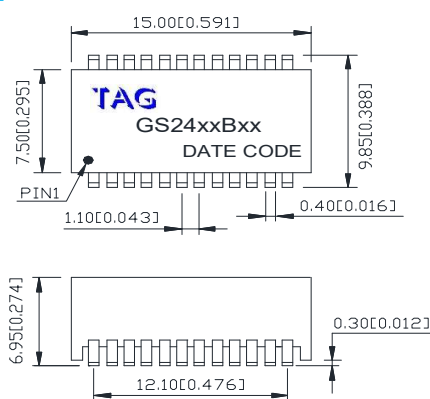
ELECTRICAL SPECIFICATIONS @ 25°C - Operating Temperature -40°C to +85°C

Part Number	Insertion Loss (dB max)	Return Loss (dB min)			Crosstalk (dB min)			CMRR (dB min)
		40MHz	80MHz	100MHz	30MHz	60MHz	100MHz	
GS2405BIP	-1.1dB	-16dB	-12dB	-10dB	-40dB	-35dB	-30dB	-30dB
GS2411BIP	-1.1dB	-16dB	-12dB	-10dB	-40dB	-35dB	-30dB	-30dB

Part Number	OCL	Turns Ratio	Isolation	Power over Ethernet(PoE)	
				DC Current (@70°C)	Power Supported (4pair UTP)
GS2405BIP	350uH 8mA	1:1 +/-2%	1500V AC 1mA 60sec	600mA	70W(PSE)
GS2411BIP	350uH 8mA	1:1 +/-2%	1500V AC 1mA 60sec	600mA	70W(PSE)

MECHANICAL

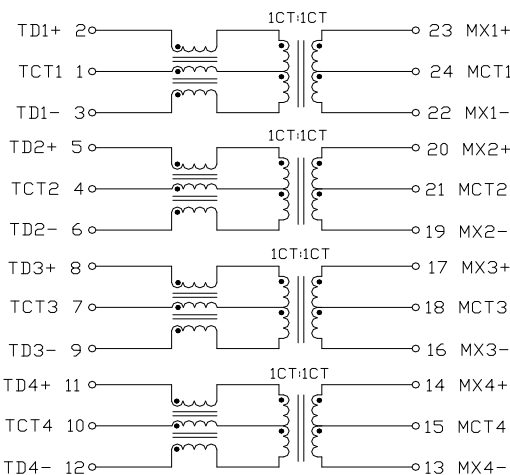
GS24xxBxx



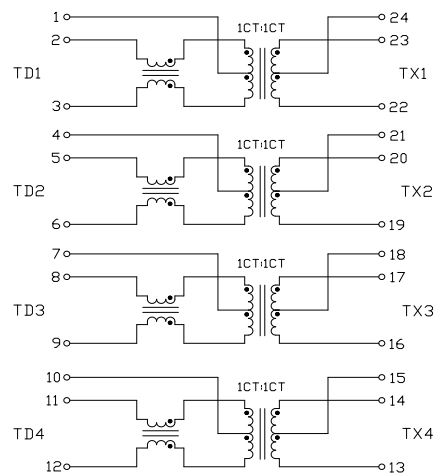
UNIT: mm(inch)
Unless otherwise specified
all tolerances are ±0.25(0.010)

SCHEMATIC

GS2405Bxx



GS2411Bxx



HEAD OFFICE : Taiwan

TEL : 886 2 2791 9208

FAX : 886 2 2791 9271

ShenZhen

TEL: 86 755 2265 4565

FAX: 86 755 2265 4561

Dongguan

TEL: 86 769 8298 9853

FAX: 86 769 8280 2057

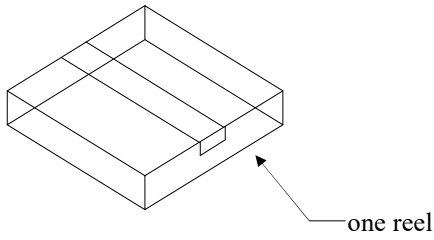
E -mail : sales-tw@tag-tech.cn

URL: www.tag-tech.cn

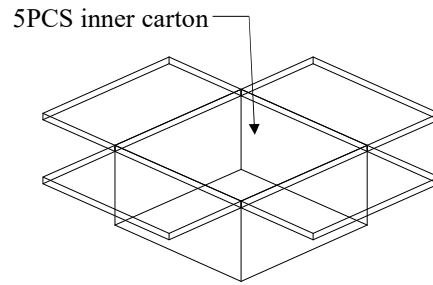
TAG TECHNOLOGY CO., LTD.

PACKAGE CRITERION

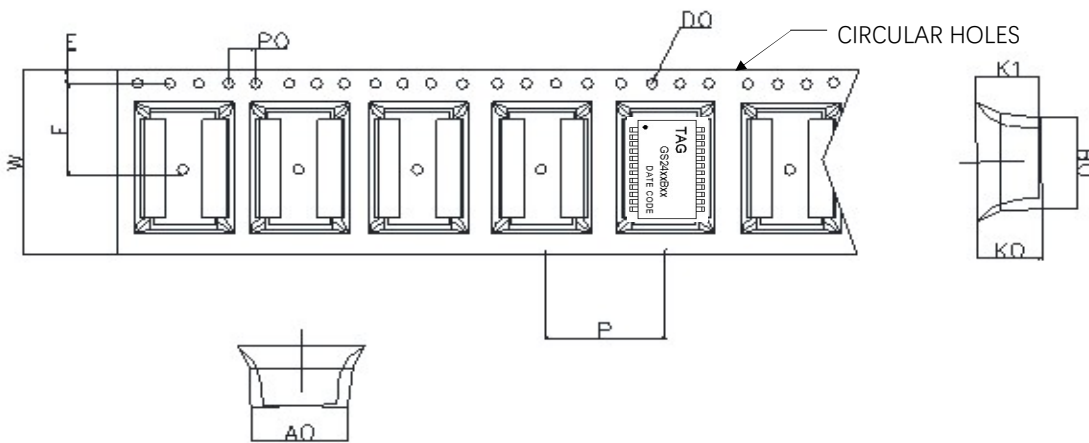
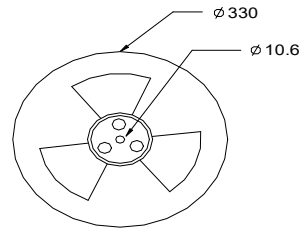
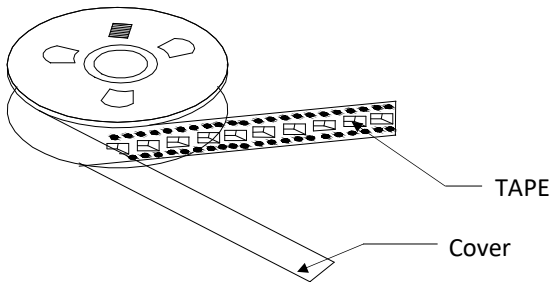
1. Inner Carton: 345*40*345



2. Export Carton: 370*240*380



3. Reel:



ITRM	W	AO	BO	KO	K1	P	F	E	D0	D1	PO	P2	T
DIM	24.00	10.45	15.40	7.00	6.75	16.00	11.50	1.75	1.50	1.50	4.00	2.00	0.35
TOLE	+0.30 -0.30	+0.15 -0.15	+0.15 -0.15	+0.10 -0.10	+0.10 -0.10	+0.10 -0.10	+0.10 -0.10	+0.10 -0.10	+0.10 -0.00	+0.10 -0.00	+0.10 -0.10	+0.15 -0.15	+0.05 -0.05

4. Package Quantity:

units: m/m

One Reel=500Pcs

One Inner carton =500Pcs

One Export carton =2500Pcs

5. MSL LEVEL: 1

6. Country of origin: Made in China

7. STORAGE TIME LIMITED : 12 MONTHES FROM SHIPPING

HEAD OFFICE : Taiwan

TEL : 886 2 2791 9208

FAX : 886 2 2791 9271

ShenZhen

TEL: 86 755 2265 4565

FAX: 86 755 2265 4561

Dongguan

TEL: 86 769 8298 9853

FAX: 86 769 8280 2057

E -mail : sales-tw@tag-tech.cn

URL: www.tag-tech.cn