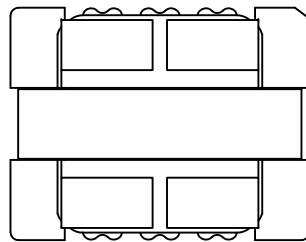
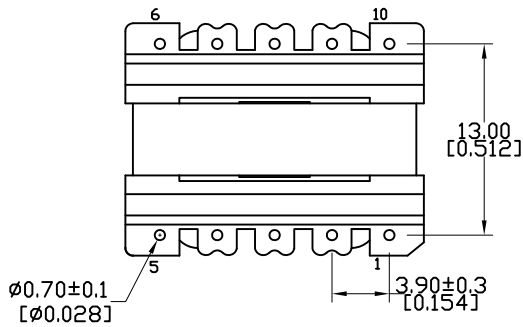
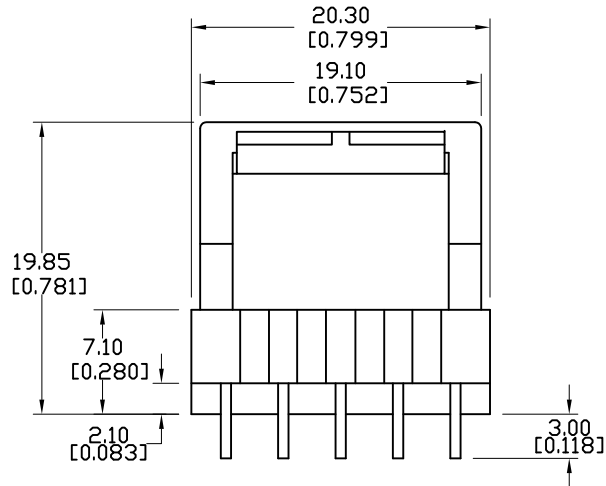
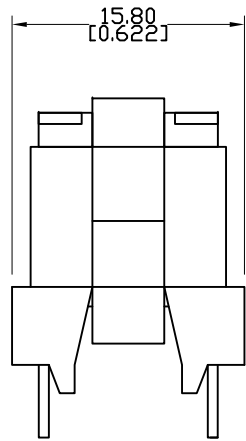
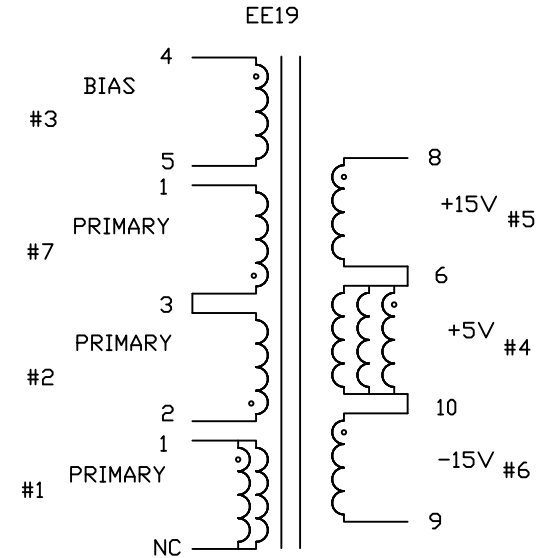


1. MECHANICAL DIMENSIONS :



REV.	CHANGGE DESCRIPTION	DATE
A	New Issue	2019-8-24

2. SCHEMATIC:



RoHS Compliant

NOTE.DIMENSIONS : MM(INCHES)/ UNLESS OTHERWISE SPECIFIED ALL TOLERANCES ARE ±0.50(0.020).

TAG 億客科技股份有限公司
ECO TECH CO., LTD.

A4
SIZE

TAG PART NO.:
1DEE1901T

VENDOR PART NO.:

Drawn: 张雪

Designed: 杨田

Approved: Deane

Date: 2019-8-24

THESE DRAWINGS AND SPECIFICATIONS ARE THE PROPERTY OF TAG TECHNOLOGY CO., LTD. AND SHALL NOT BE REPRODUCED OR USED AS THE BASIS FOR THE MANUFACTURE OR SELL OF APPARATUSES OR DEVICES WITHOUT PERMISSION.

THIRD ANGLE
PROJECTION

DESCRIPTION:
XFRM, FLYBACK, 11VA, 12-370V/5V@CA,
+15V@30mA, PCB, 12V BIAS, 3KV ISOLATION

UNIT mm[inch]

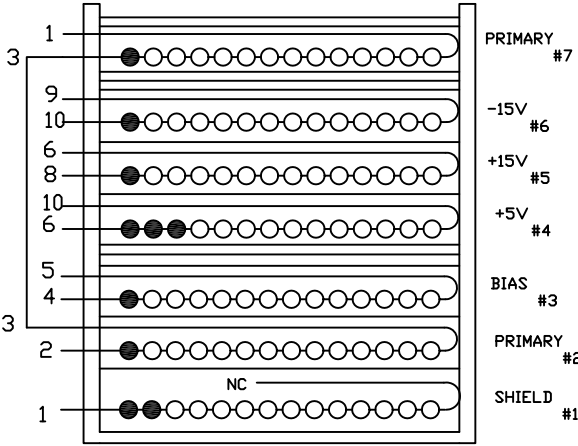
USED ON

SHEET 1 OF 2

REV. A

REV.	CHANGGE DESCRIPTION	DATE
A	New Issue	2019-8-24

3. WINDING DIAGRAM :



KEY:
 ● MECHANICAL START OF WINDING (ALSO DENOTES ELECTRICALPHASE)
 — BLACK LINE INDICATES LAYER OF WRAPPER

4. ELLECTRICAL TES CHARACTERISTICS :

PARAMETER	CONDITION	SPEC
ELECTRICAL STRENGTH, VAC	60HZ 1SECOND, FROM PINS 1,2 TO PINS 5,6,7,8	3000V
NOMINAL PRIMARY INDUCTANCE, uH MEASURE AT 100KHZ	MEASURED AT 1V PK-PK, TYPICAL SWITCHING FREQUENCY, BETWEEN PIN 1 TO PIN2, WITH ALL OTHER WINDINGS OPEN	414uH
TOLERANCE	TOLERANCE OF PRIMARY INDUCTANCE	12%
MAXIMUM PRIMARY LEAKAGE, uH MEASURE AT 100KH	MEASURED BETWEEN PIN 1 TO PIN 2, WITH ALL OTHER WINDINGS SHORTED	12.0uH

5. TRANSFORMER WINDING TABLE :

WINDING#	1	2	3	4	5	6	7
METHOD	BIFILAR SHIELD	SINGLE	SINGLE	TRIFILAR	SINGLE	SINGLE	SINGLE
WIRE	32AWG HN	32AWG HN	32AWG HN	25AWG TIW	32AWG TIW	32AWG TIW	32AWG HN
TURNS	18	36	4	3	5	8	36
TURNS/LAYER	36	36	4	9	5	8	36
TURN TOLERANCE	EXACT	EXACT	EXACT	EXACT	EXACT	EXACT	EXACT
LAYERS	1	1	1	1	1	1	1
WRAPPER	1L P-256	1L P-256	3L P-256	1L P-256	1L P-256	3L P-256	2L P-256

RoHS Compliant

億客科技股份有限公司 ECO TECH CO., LTD.	A4 SIZE	TAG PART NO.: 1DEE1901T	VENDOR PART NO.:		Drawn:	张雪	
					Designed:	杨田	
THESE DRAWINGS AND SPECIFICATIONS ARE THE PROPERTY OF TAG TECHNOLOGY CO., LTD. AND SHALL NOT BE REPRODUCED OR USED AS THE BASIS FOR THE MANUFACTURE OR SELL OF APPARATUSES OR DEVICES WITHOUT PERMISSION.		DESCRIPTION: XFMR, FLYBACK, 11VA, 12-370V/5V@2A, +15V@30mA, PCB, 12V BIAS, 3KV ISOLATION	UNIT	mm[inch]	USED ON	Approved:	Deane
			SHEET	2 OF 2	REV.	A	Date: