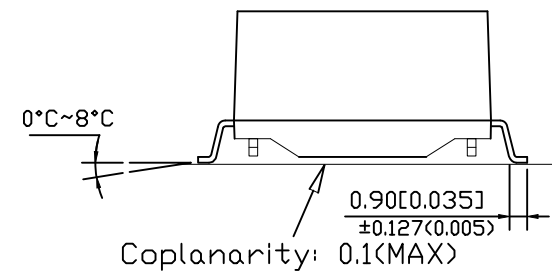
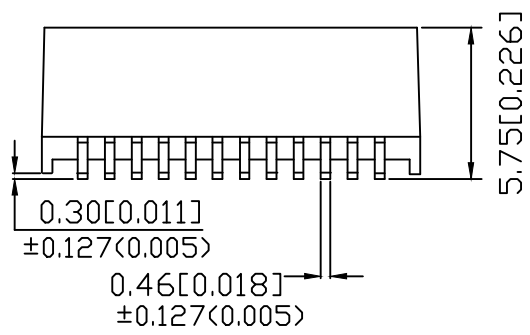
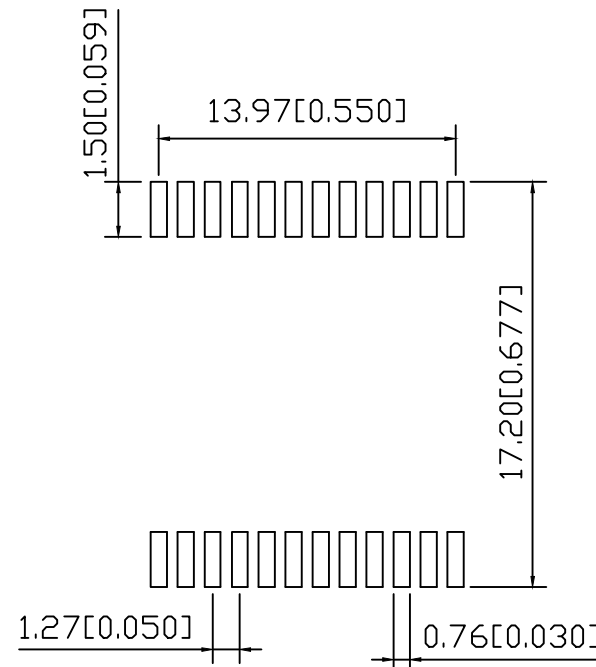
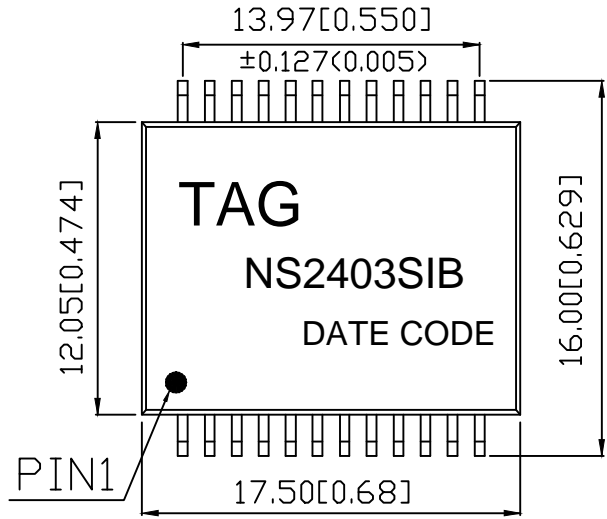


1. MECHANICAL DIMENSIONS :

| REV. | CHANGGE DESCRIPTION | DATE |
|------|---------------------|-----------|
| A | New Issue | 2016-5-30 |
| | | |



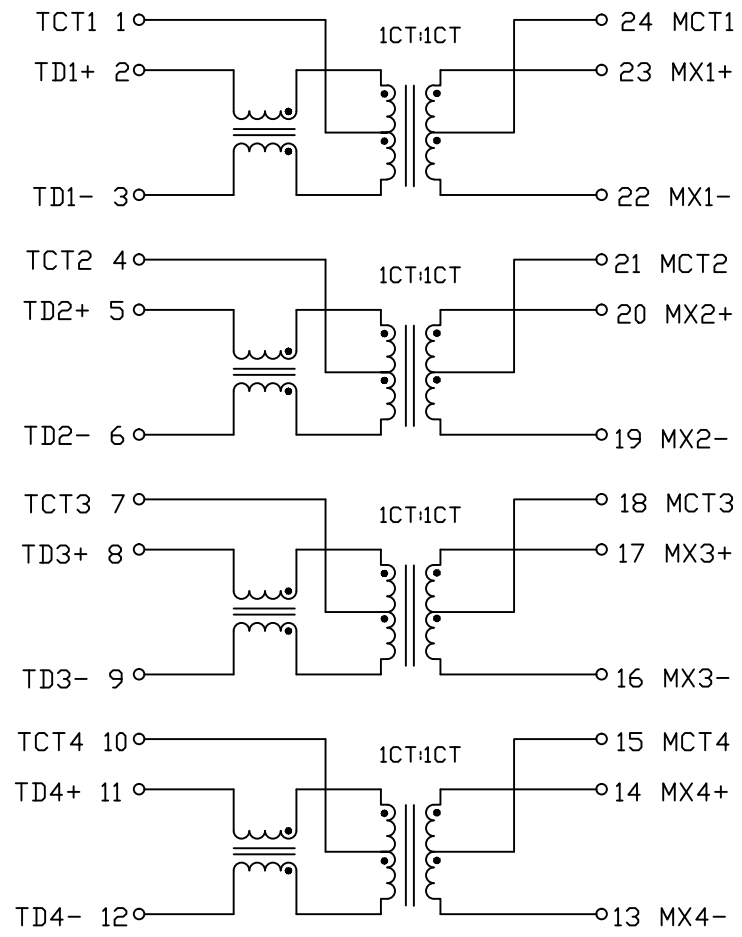
RoHS Compliant

NOTE. DIMENSIONS:MM(INCHES)/UNLESS OTHERWISE SPECIFIED ALL TOLERANCES ARE ±0.50(0.020).

| | | | | | | |
|---|------------------------|--|------------------|----------|---------|-----------|
| 億客科技股份有限公司 ECO TECH CO., LTD. | A4 SIZE | TAG PART NO.: NS2403SIB | VENDOR PART NO.: | | Drawn: | Zhang Xue |
| | | | UNIT | mm[inch] | USED ON | Designed: |
| THESE DRAWINGS AND SPECIFICATIONS ARE THE PROPERTY OF TAG TECHNOLOGY CO., LTD. AND SHALL NOT BE REPRODUCED OR USED AS THE BASIS FOR THE MANUFACTURE OR SELL OF APPARATUSES OR DEVICES WITHOUT PERMISSION. | THIRD ANGLE PROJECTION | DESCRIPTION: 10G BASE-T TRANSFORMER MODULES | SHEET | 1 OF 2 | REV. | A |
| | | | Approved: | Deane | Date: | 2016-5-30 |

| REV. | CHANGGE DESCRIPTION | DATE |
|------|---------------------|-----------|
| A | New Issue | 2016-5-30 |

2. SCHEMATIC:



3. ELECTRICAL CHARACTERISTICS :

- TEST NOTES:($25^{\circ}\pm 5^{\circ}\text{C}$)
- TR:(100KHz,0.1V); 100%
PINS:(2,3):(23,22)= $1:1\pm 3\%$;(5,6):(20,19)= $1:1\pm 3\%$
PINS:(8,9):(17,16)= $1:1\pm 3\%$;(11,12):(14,13)= $1:1\pm 3\%$
 - LX:(100KHz,0.1V) 100%
PINS:(23,22),(20,19),(17,16),(14,13)=140uH MIN
 - DCR: 100%
PINS:(2,3),(5,6),(8,9),(11,12)=0.8 Ω MAXIMUM
 - HIPDT: 100%
PINS(2,1,3)TO(23,24,22),(5,4,6)TO(20,21,19)=1500VAC FOR 60 SECONDS
PINS(8,7,9)TO(17,18,16),(11,10,12)TO(14,15,13)=1500VAC FOR 60 SECONDS
 - INSERTION LOSS:
-1.0dB Max AT 1MHz TO 50MHz
-1.5dB Max AT 50MHz TO 200MHz
-2.0dB Max AT 200MHz TO 400MHz
-3.0dB Max AT 400MHz TO 500MHz
 - RETURN LOSS:
-18dB Min AT 1MHz
-13dB Min AT 2MHz TO 100MHz
-10dB Min AT 100MHz TO 200MHz
-7dB Min AT 200MHz TO 400MHz
-6dB Min AT 400MHz TO 500MHz
 - Cross Talk:
-30dB Min AT 1MHz TO 100MHz
-18dB Min AT 100MHz TO 500MHz
 - Complying IEEE 802.3bt 1.2A CURRENT CAPABILITY.
 - OPERATING TEMPERATURE -40°C TO $+85^{\circ}\text{C}$.

RoHS Compliant

TAG 億客科技股份有限公司
ECO TECH CO., LTD.

A4
SIZE

TAG PART NO.:
NS2403SIB

VENDOR PART NO.:

Drawn: Zhang Xue

Designed: Yang Tian

THESE DRAWINGS AND SPECIFICATIONS ARE THE PROPERTY OF TAG TECHNOLOGY CO., LTD. AND SHALL NOT BE REPRODUCED OR USED AS THE BASIS FOR THE MANUFACTURE OR SELL OF APPARATUSES OR DEVICES WITHOUT PERMISSION.



DESCRIPTION:
10G BASE-T TRANSFORMER MODULES

| | | | |
|-------|----------|---------|---|
| UNIT | mm[inch] | USED ON | |
| SHEET | 2 OF 2 | REV. | A |

Approved: Deane
Date: 2016-5-30