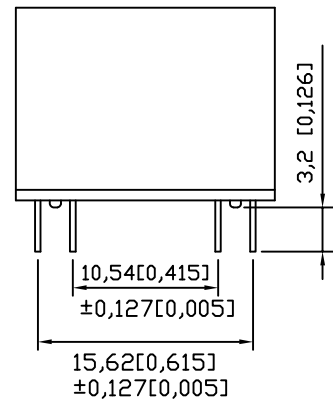
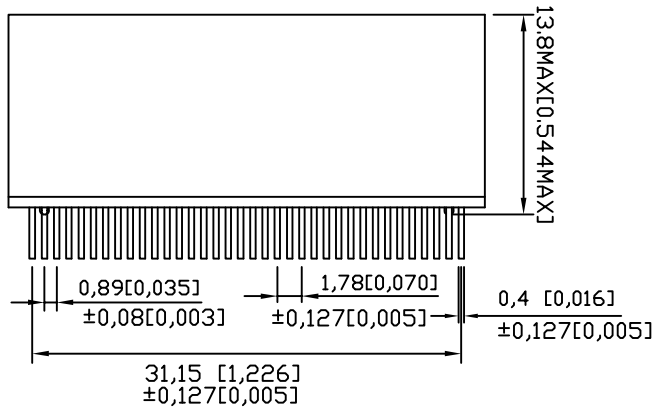
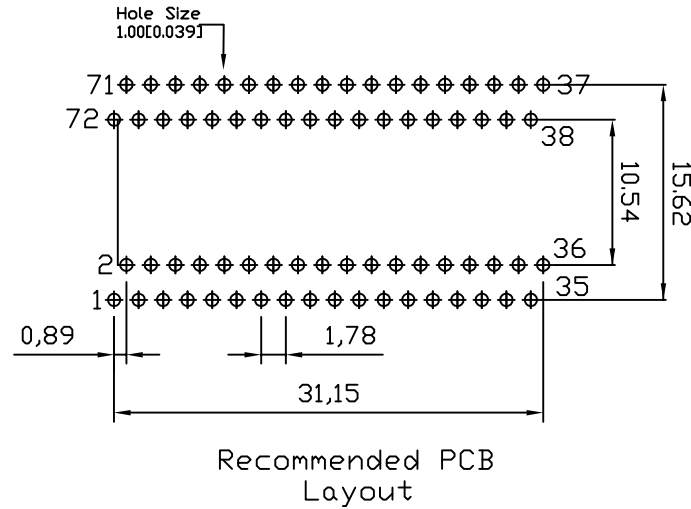
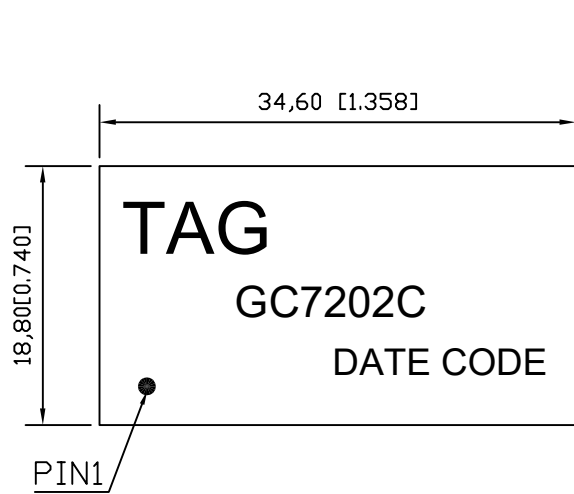


# 1. MECHANICAL DIMENSIONS :

REV.	CHANGE DESCRIPTION	DATE
A	New Issue	2011-9-9
B	增加PCB Hole Size	2016-5-13



RoHS Compliant

NOTE. DIMENSIONS:MM(INCHES)/UNLESS OTHERWISE SPECIFIED ALL TOLERANCES ARE ±0.50(0.020).

**TAG** 億客科技股份有限公司  
ECO TECH CO., LTD.

A4  
SIZE

TAG PART NO.:  
GC7202C

VENDOR PART NO.:

Drawn: Zhang Xue

Designed: Yang Tian

Approved: Deane

Date: 2016-5-13

THESE DRAWINGS AND SPECIFICATIONS ARE THE PROPERTY OF TAG TECHNOLOGY CO., LTD. AND SHALL NOT BE REPRODUCED OR USED AS THE BASIS FOR THE MANUFACTURE OR SELL OF APPARATUS OR DEVICES WITHOUT PERMISSION.

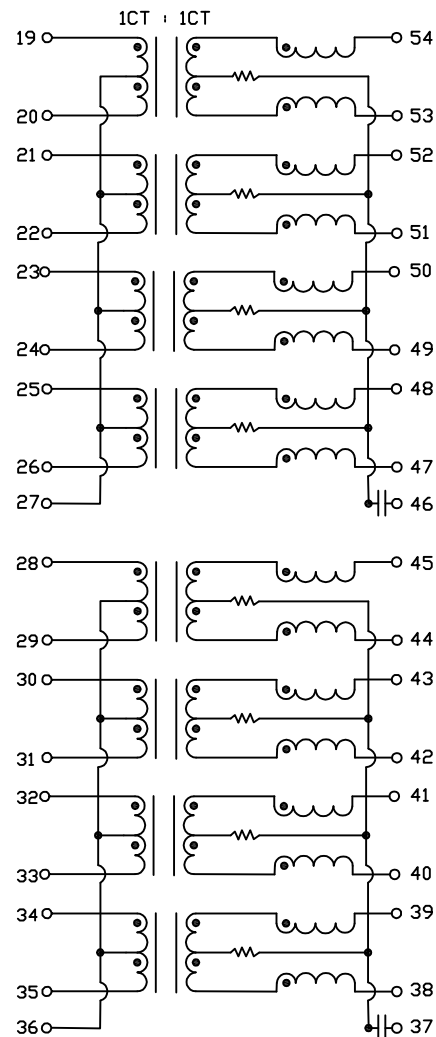
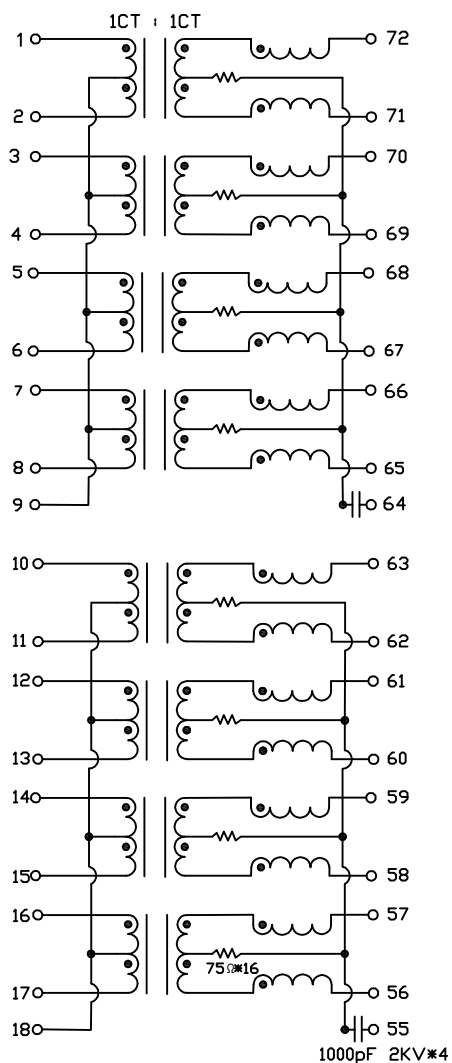


DESCRIPTION:  
100/1000 BASE-T TRANSFORMER MODULES

UNIT mm USED ON  
SHEET 1 OF 2

REV. B

## 2. SCHEMATIC:



## 3. ELECTRICAL CHARACTERISTICS :

TEST NOTES:(25±5°C)

- TR:(100KHz,0.1V); 100%  
 PINS:(1,2)<(72,71)=1±3%;(3,4)<(70,69)=1±3%  
 PINS:(5,6)<(68,67)=1±3%;(7,8)<(66,65)=1±3%  
 PINS:(10,11)<(63,62)=1±3%;(12,13)<(61,60)=1±3%  
 PINS:(14,15)<(59,58)=1±3%;(16,17)<(57,56)=1±3%  
 PINS:(19,20)<(54,53)=1±3%;(21,22)<(52,51)=1±3%  
 PINS:(23,24)<(50,49)=1±3%;(25,26)<(48,47)=1±3%  
 PINS:(28,29)<(45,44)=1±3%;(30,31)<(43,42)=1±3%  
 PINS:(32,33)<(41,40)=1±3%;(34,35)<(39,38)=1±3%
- LX:(100KHz,100mV,8mA, DC Bias) 100%  
 PINS:(1,2)<(3,4),(5,6),(7,8),(10,11),(12,13),(14,15),(16,17)<(19,20)=350uH MINIMUM  
 PINS:(21,22),(23,24),(25,26),(28,29),(30,31),(32,33),(34,35)=350uH MINIMUM
- DCR: 100%  
 PINS:(72,71),(70,69),(68,67),(66,65),(63,62),(61,60),(59,58),(57,56)=1.4Ω MAXIMUM  
 PINS:(54,53),(52,51),(50,49),(48,47),(45,44),(43,42),(41,40),(39,38)=1.4Ω MAXIMUM
- HIPOT: 100%  
 PINS(1,9,2)TD(72,64,71),(3,9,4)TD(70,64,69)=1500VAC FOR 60 SECONDS  
 PINS(5,9,6)TD(68,64,67),(7,9,8)TD(66,64,65)=1500VAC FOR 60 SECONDS  
 PINS(10,18,11)TD(63,55,62),(12,18,13)TD(61,55,60)=1500VAC FOR 60 SECONDS  
 PINS(14,18,15)TD(59,55,58),(16,18,17)TD(57,55,56)=1500VAC FOR 60 SECONDS  
 PINS(19,27,20)TD(54,46,53),(21,27,22)TD(52,46,51)=1500VAC FOR 60 SECONDS  
 PINS(23,27,24)TD(50,46,49),(25,27,26)TD(48,46,47)=1500VAC FOR 60 SECONDS  
 PINS(28,36,29)TD(45,37,44),(30,36,31)TD(43,37,42)=1500VAC FOR 60 SECONDS  
 PINS(32,36,33)TD(41,37,40),(34,36,35)TD(39,37,38)=1500VAC FOR 60 SECONDS
- INSERTION LOSS:  
 -1.0dB MAXIMUM AT 1MHz TO 100MHz;
- RETURN LOSS:  
 -16dB MINIMUM AT 1MHz TO 40MHz;  
 -14.1dB MINIMUM AT 40MHz TO 50MHz;  
 -12.5dB MINIMUM AT 50MHz TO 60MHz;  
 -10dB MINIMUM AT 60MHz TO 80MHz;
- CROSS TALK:  
 -40dB MINIMUM AT 1MHz TO 30MHz  
 -35dB MINIMUM AT 30MHz TO 60MHz  
 -30dB MINIMUM AT 60MHz TO 100MHz
- CMRR:  
 -40dB MINIMUM AT 1MHz TO 30MHz;  
 -35dB MINIMUM AT 30MHz TO 60MHz;  
 -30dB MINIMUM AT 60MHz TO 125MHz;
- OPERATING TEMPERATURE:0°C TO 70°C.

RoHS Compliant

**TAG** 億客科技股份有限公司  
ECO TECH CO., LTD.

A4  
SIZE

TAG PART NO.:  
GC7202C

VENDOR PART NO.:

Drawn: Zhang Xue

Designed: Yang Tian

Approved: Deane

Date: 2016-5-13

THESE DRAWINGS AND SPECIFICATIONS ARE THE PROPERTY OF TAG TECHNOLOGY CO., LTD. AND SHALL NOT BE REPRODUCED OR USED AS THE BASIS FOR THE MANUFACTURE OR SELL OF APPARATUS OR DEVICES WITHOUT PERMISSION.



DESCRIPTION:  
100/1000 BASE-T TRANSFORMER MODULES

UNIT	mm	USED ON	
SHEET	2	OF	2
REV.	B		