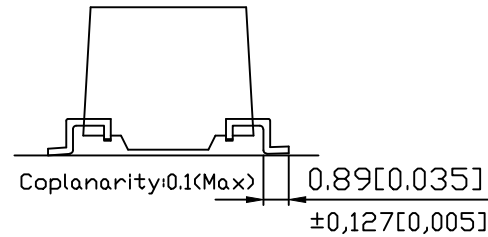
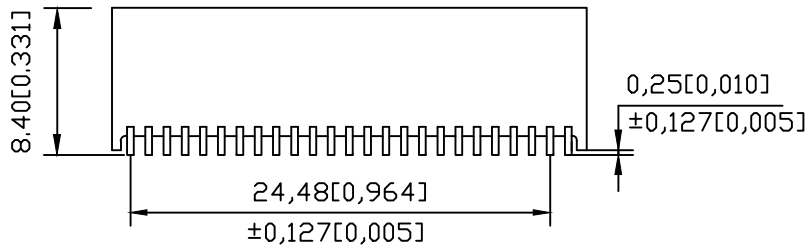
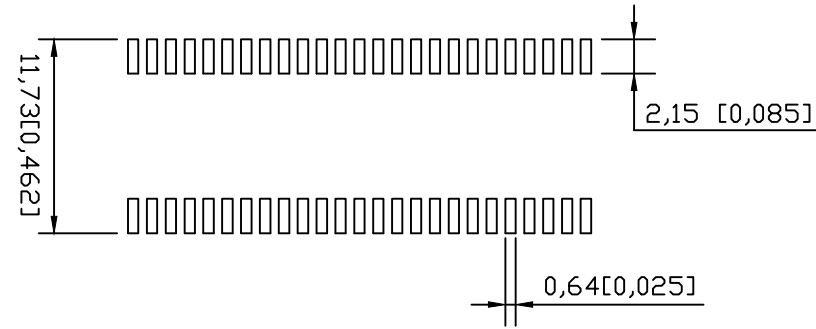
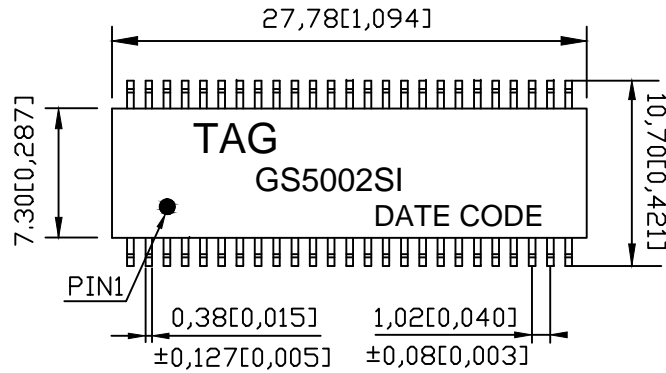


| REV. | CHANGGE DESCRIPTION | DATE |
|------|---------------------|-----------|
| A | New Issue | 2019-2-20 |
| | | |
| | | |

1. MECHANICAL DIMENSIONS :



RoHS Compliant

NOTE. DIMENSIONS:MM(INCHES)/UNLESS OTHERWISE SPECIFIED ALL TOLERANCES ARE ±0.500(0.020).

TAG 億客科技股份有限公司
ECO TECH CO., LTD.

A4
SIZE

TAG PART NO.:
GS5002SI

VENDOR PART NO.:

Drawn: Rita

Designed: Evan

Approved: Paul Li

Date: 2019-2-20

THESE DRAWINGS AND SPECIFICATIONS ARE THE PROPERTY OF TAG TECHNOLOGY CO., LTD. AND SHALL NOT BE REPRODUCED OR USED AS THE BASIS FOR THE MANUFACTURE OR SELL OF APPARATUSES OR DEVICES WITHOUT PERMISSION.



DESCRIPTION:

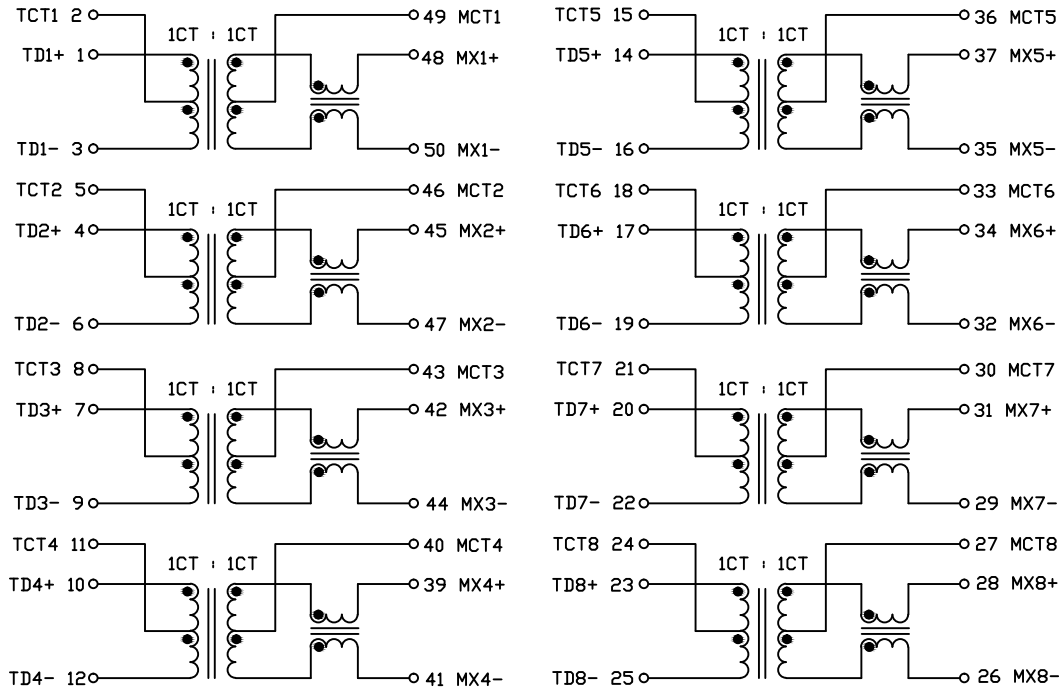
100/1000 BASE-T TRANSFORMER MODULES

UNIT mm[inch] USED ON

SHEET 1 OF 2

REV. A

2. SCHEMATIC:



3. ELECTRICAL CHARACTERISTICS :

TEST NOTES:($25^{\circ}\pm 5^{\circ}\text{C}$)

- TR:(100KHz,0.1V); 100%
PINS:(1,3)<(48,50)= $1:1\pm 3\%$;(4,6)<(45,47)= $1:1\pm 3\%$
PINS:(7,9)<(42,44)= $1:1\pm 3\%$;(10,12)<(39,41)= $1:1\pm 3\%$
PINS:(14,16)<(37,35)= $1:1\pm 3\%$;(17,19)<(34,32)= $1:1\pm 3\%$
PINS:(20,22)<(31,29)= $1:1\pm 3\%$;(23,25)<(28,26)= $1:1\pm 3\%$
- LX:(100KHz,100mV,8mA, DC Bias); 100%
PINS:(1,3),(4,6),(7,9),(10,12),(14,16),(17,19),(20,22),(23,25)=350uH MINIMUM
- DCR; 100%
PINS:(48,50),(45,47)<(42,44),(39,41),(37,35),(34,32),(31,29),(28,26)= 1.4Ω MAXIMUM
- HIPOT; 100%
PINS:(1,2,3)TD<(48,49,50),(4,5,6)TD<(45,46,47)=1500VAC FOR 60 SECONDS
PINS:(7,8,9)TD<(42,43,44),(10,11,12)TD<(39,40,41)=1500VAC FOR 60 SECONDS
PINS:(14,15,16)TD<(37,36,35),(17,18,19)TD<(34,33,32)=1500VAC FOR 60 SECONDS
PINS:(20,21,22)TD<(31,30,29),(23,24,25)TD<(28,27,26)=1500VAC FOR 60 SECONDS
- INSERTION LOSS:
-1.1dB MAXIMUM AT 1MHz TO 100MHz;
- RETURN LOSS:
-16dB MINIMUM AT 1MHz TO 30MHz;
-16dB MINIMUM AT 30MHz TO 40MHz;
-14.1dB MINIMUM AT 40MHz TO 50MHz;
-12.5dB MINIMUM AT 50MHz TO 60MHz;
-10dB MINIMUM AT 60MHz TO 80MHz;
- CROSS TALK
-35.8dB MINIMUM AT 1MHz TO 30MHz;
-30.8dB MINIMUM AT 30MHz TO 60MHz;
-28.0dB MINIMUM AT 60MHz TO 100MHz;
- COMMON MODE REJECTION:
-40dB MINIMUM AT 1MHz TO 100MHz;
- OPERATING TEMPERATURE -40°C to $+85^{\circ}\text{C}$

RoHS Compliant

TAG 億客科技股份有限公司
ECO TECH CO., LTD.

A4
SIZE

TAG PART NO.:
GS5002SI

VENDOR PART NO.:

Drawn: Rita

Designed: Evan

Approved: Paul Li

Date: 2019-2-20

THESE DRAWINGS AND SPECIFICATIONS ARE THE PROPERTY OF TAG TECHNOLOGY CO., LTD. AND SHALL NOT BE REPRODUCED OR USED AS THE BASIS FOR THE MANUFACTURE OR SELL OF APPARATUS OR DEVICES WITHOUT PERMISSION.



DESCRIPTION:

100/1000 BASE-T TRANSFORMER MODULES

UNIT mm[Inch] USED ON

SHEET 2 OF 2 REV. A