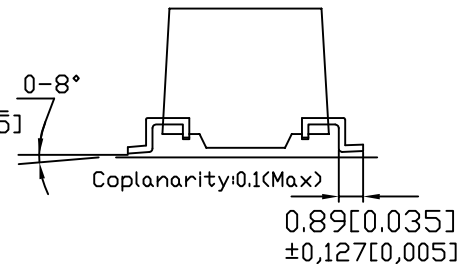
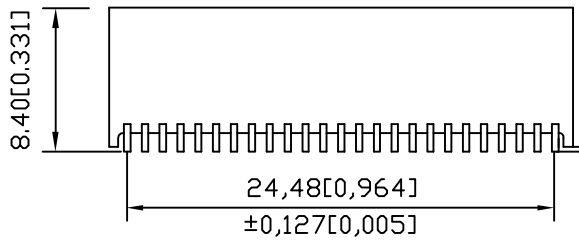
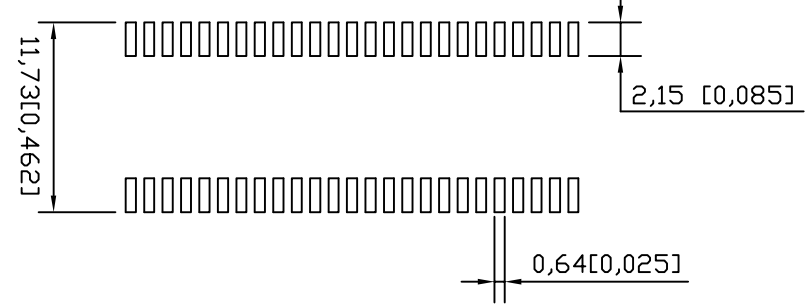
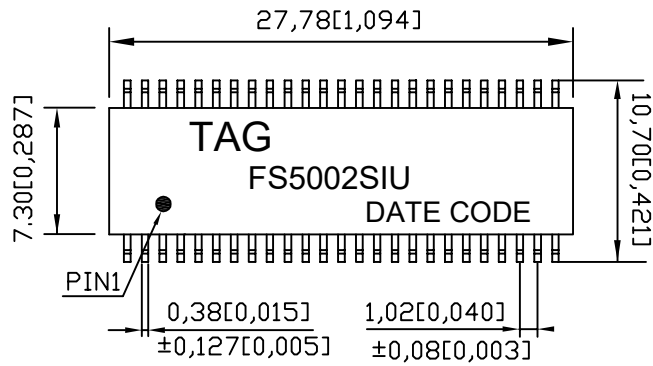


REV.	CHANGE DESCRIPTION	DATE
A	New Issue	2015-2-28

# 1. MECHANICAL DIMENSIONS :

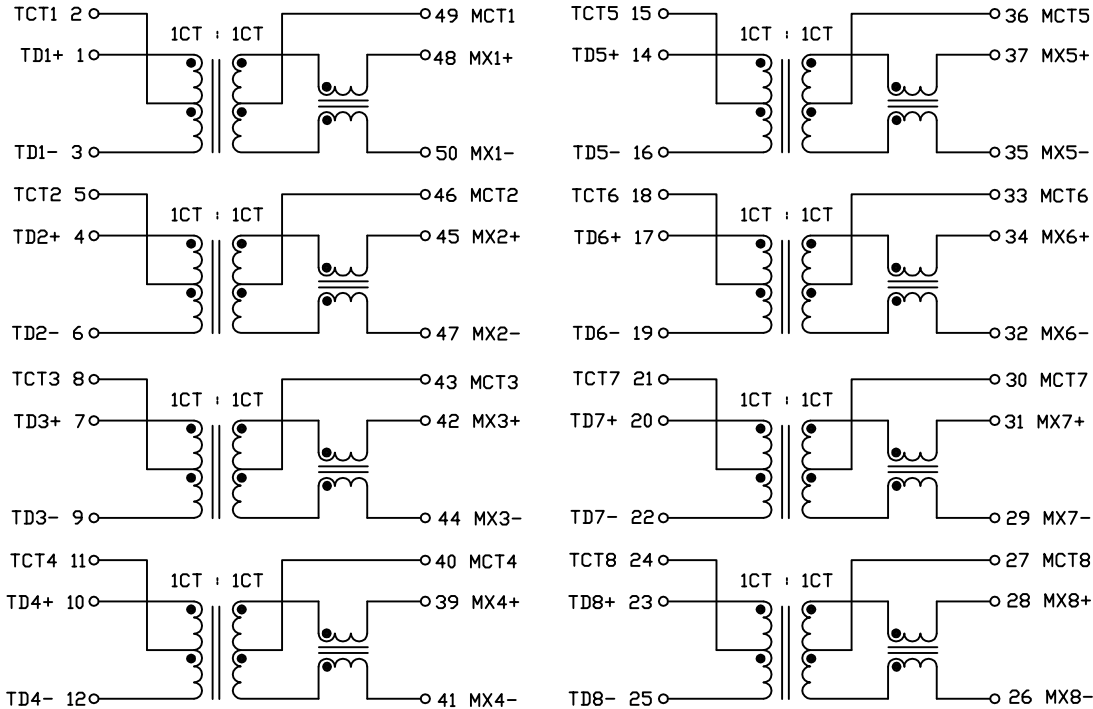


RoHS Compliant

NOTE. DIMENSIONS:MM(INCHES)/UNLESS OTHERWISE SPECIFIED ALL TOLERANCES ARE ±0.50(0.020).

億客科技股份有限公司 ECO TECH CO., LTD.	A4 SIZE	TAG PART NO.: FS5002SIU	VENDOR PART NO.:		Drawn:	Zhang Xue	
					Designed:	Yang Tian	
THESE DRAWINGS AND SPECIFICATIONS ARE THE PROPERTY OF TAG TECHNOLOGY CO., LTD. AND SHALL NOT BE REPRODUCED OR USED AS THE BASIS FOR THE MANUFACTURE OR SELL OF APPARATUSSES OR DEVICES WITHOUT PERMISSION.	THIRD ANGLE PROJECTION	DESCRIPTION: 2.5G BASE-T TRANSFORMER MODULES	UNIT	mm[inch]	USED ON	Approved: Deane	
			SHEET	1	OF		2

## 2. SCHEMATIC:



## 3. ELECTRICAL CHARACTERISTICS :

TEST NOTES:( $25^{\circ}\pm 5^{\circ}\text{C}$ )

- TR:(100KHz,0.1V); 100%  
PINS:(1,3):(48,50)= $1:1\pm 3\%$ ;(4,6):(45,47)= $1:1\pm 3\%$   
PINS:(7,9):(42,44)= $1:1\pm 3\%$ ;(10,12):(39,41)= $1:1\pm 3\%$   
PINS:(14,16):(37,35)= $1:1\pm 3\%$ ;(17,19):(34,32)= $1:1\pm 3\%$   
PINS:(20,22):(31,29)= $1:1\pm 3\%$ ;(23,25):(28,26)= $1:1\pm 3\%$
- LX:(100KHz,100mV,11mA, DC Bias); 100%  
PINS:(1,3),(4,6),(7,9),(10,12),(14,16),(17,19),(20,22),(23,25)=150uH MINIMUM
- DCR; 100%  
PINS:(48,50),(45,47):(42,44),(39,41),(37,35),(34,32),(31,29),(28,26)= $1.2\Omega$  MAXIMUM
- HIPOT; 100%  
PINS:(1,2,3)TD(48,49,50),(4,5,6)TD(45,46,47)=1500VAC FOR 60 SECONDS  
PINS:(7,8,9)TD(42,43,44),(10,11,12)TD(39,40,41)=1500VAC FOR 60 SECONDS  
PINS:(14,15,16)TD(37,36,35),(17,18,19)TD(34,33,32)=1500VAC FOR 60 SECONDS  
PINS:(20,21,22)TD(31,30,29),(23,24,25)TD(28,27,26)=1500VAC FOR 60 SECONDS
- INSERTION LOSS:  
-1.0dB MAXIMUM AT 1MHz TO 100MHz;  
-1.5dB MAXIMUM AT 100MHz TO 125MHz;  
-2.5dB MAXIMUM AT 125MHz TO 250MHz;
- RETURN LOSS:  
-16dB MINIMUM AT 1MHz TO 40MHz;  
-10dB MINIMUM AT 40MHz TO 100MHz;  
-6dB MINIMUM AT 100MHz TO 125MHz;
- CROSS TALK  
-30dB MINIMUM AT 1MHz TO 100MHz;  
-25dB MINIMUM AT 100MHz TO 125MHz;
- COMMON TO COMMON MADE REJECTION:  
-30dB MINIMUM AT 1MHz TO 100MHz;  
-25dB MINIMUM AT 100MHz TO 125MHz;
- Complying IEEE 802.3bt standard 1.2A current
- OPERATING TEMPERATURE  $-40^{\circ}\text{C}$  to  $+85^{\circ}\text{C}$

 注① : 2.5G BASE-T TRANSFORMER MODULES

RoHS Compliant

**TAG** 億客科技股份有限公司  
ECO TECH CO., LTD.

A4  
SIZE

TAG PART NO.:  
FS5002SIU

VENDOR PART NO.:

Drawn: Zhang Xue

Designed: Yang Tian

Approved: Deane

Date: 2015-2-28

THESE DRAWINGS AND SPECIFICATIONS ARE THE PROPERTY OF TAG TECHNOLOGY CO., LTD. AND SHALL NOT BE REPRODUCED OR USED AS THE BASIS FOR THE MANUFACTURE OR SELL OF APPARATUSES OR DEVICES WITHOUT PERMISSION.



DESCRIPTION:

2.5G BASE-T TRANSFORMER MODULES

UNIT	mm[inch]	USED ON
SHEET	2	OF 2
REV.	A	