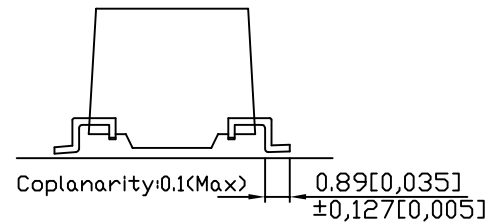
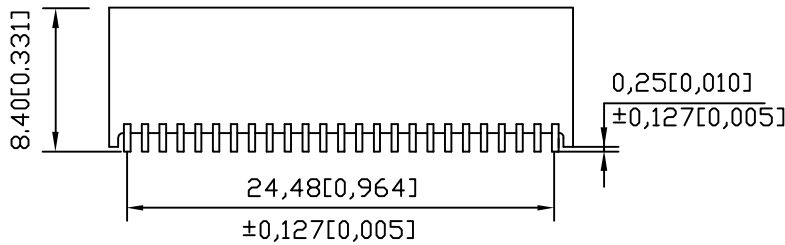
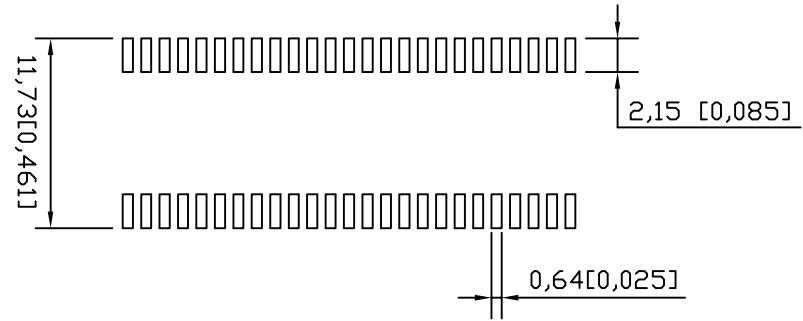
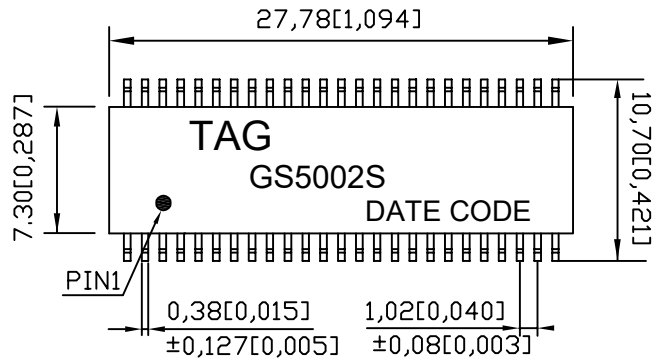


1. MECHANICAL DIMENSIONS :

REV.	CHANGGE DESCRIPTION	DATE
A	New Issue	2011-9-19
B	尺寸公差由0.254改为0.500	2014-6-16
C	增加平整度标识	2019-2-20



RoHS Compliant

NOTE. DIMENSIONS:MM(INCHES)/UNLESS OTHERWISE SPECIFIED ALL TOLERANCES ARE ±0.50(0.020).

TAG 億客科技股份有限公司
ECO TECH CO., LTD.

A4
SIZE

TAG PART NO.:
GS5002S

VENDOR PART NO.:

Drawn: Zhang Xue

Designed: Yang Tian

Approved: Deane

Date: 2019-2-20

THESE DRAWINGS AND SPECIFICATIONS ARE THE PROPERTY OF TAG TECHNOLOGY CO., LTD. AND SHALL NOT BE REPRODUCED OR USED AS THE BASIS FOR THE MANUFACTURE OR SELL OF APPARATUSSES OR DEVICES WITHOUT PERMISSION.



DESCRIPTION:

100/1000 BASE-T TRANSFORMER MODULES

UNIT

mm[inch]

USED ON

SHEET

1

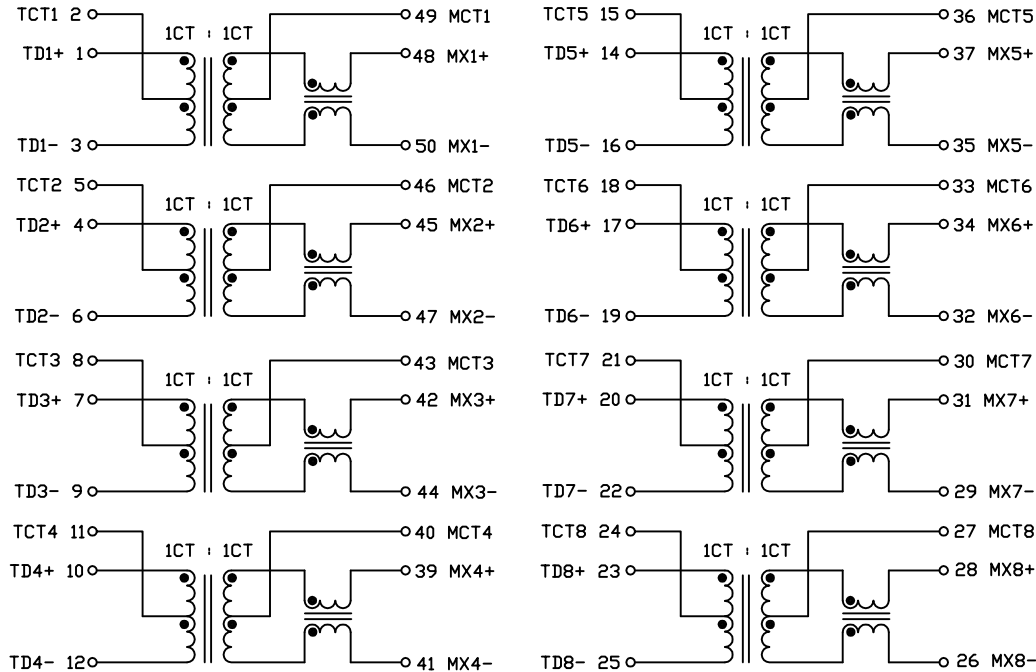
OF

2

REV.

C

2. SCHEMATIC:



3. ELECTRICAL CHARACTERISTICS :

TEST NOTES:($25 \pm 5^\circ\text{C}$)

- TR:(100KHz,0.1V) ; 100%
PINS:(1,3)<(48,50)= $1:1 \pm 3\%$; (4,6)<(45,47)= $1:1 \pm 3\%$
PINS:(7,9)<(42,44)= $1:1 \pm 3\%$; (10,12)<(39,41)= $1:1 \pm 3\%$
PINS:(14,16)<(37,35)= $1:1 \pm 3\%$; (17,19)<(34,32)= $1:1 \pm 3\%$
PINS:(20,22)<(31,29)= $1:1 \pm 3\%$; (23,25)<(28,26)= $1:1 \pm 3\%$
- LX:(100KHz, 0.1V,8mA, DC Bias); 100%
PINS:(1,3),(4,6),(7,9),(10,12),(14,16),(17,19),(20,22),(23,25)=350uH MINIMUM
- DCR ; 100%
PINS:(48,50),(45,47)<(42,44),(39,41),(37,35),(34,32),(31,29),(28,26)= 1.4Ω MAXIMUM
- HIPOT ; 100%
PINS:(1,2,3)TD<(48,49,50),(4,5,6)TD<(45,46,47)=1500VAC FOR 60 SECONDS
PINS:(7,8,9)TD<(42,43,44),(10,11,12)TD<(39,40,41)=1500VAC FOR 60 SECONDS
PINS:(14,15,16)TD<(37,36,35),(17,18,19)TD<(34,33,32)=1500VAC FOR 60 SECONDS
PINS:(20,21,22)TD<(31,30,29),(23,24,25)TD<(28,27,26)=1500VAC FOR 60 SECONDS
- INSERTION LOSS:
-1.1dB MAXIMUM AT 1MHz TO 100MHz;
- RETURN LOSS:
-18dB MINIMUM AT 1MHz TO 40MHz;
-14dB MINIMUM AT 40MHz TO 60MHz;
-12dB MINIMUM AT 60MHz TO 80MHz;
-10dB MINIMUM AT 80MHz TO 100MHz;
- CROSS TALK
-40dB MINIMUM AT 1MHz TO 30MHz;
-35dB MINIMUM AT 30MHz TO 60MHz;
-30dB MINIMUM AT 60MHz TO 100MHz;
- COMMON TO COMMON MADE REJECTION:
-40dB MINIMUM AT 1MHz TO 100MHz;
- OPERATING TEMPERATURE 0°C to 70°C

RoHS Compliant

TAG 億客科技股份有限公司
ECO TECH CO., LTD.

A4
SIZE

TAG PART NO.:
GS5002S

VENDOR PART NO.:

Drawn: Zhang Xue

Designed: Yang Tian

Approved: Deane

Date: 2019-2-20

THESE DRAWINGS AND SPECIFICATIONS ARE THE PROPERTY OF TAG TECHNOLOGY CO., LTD. AND SHALL NOT BE REPRODUCED OR USED AS THE BASIS FOR THE MANUFACTURE OR SELL OF APPARATUSES OR DEVICES WITHOUT PERMISSION.



DESCRIPTION:

100/1000 BASE-T TRANSFORMER MODULES

UNIT	mm[inch]	USED ON
SHEET	2	OF 2
REV.	C	