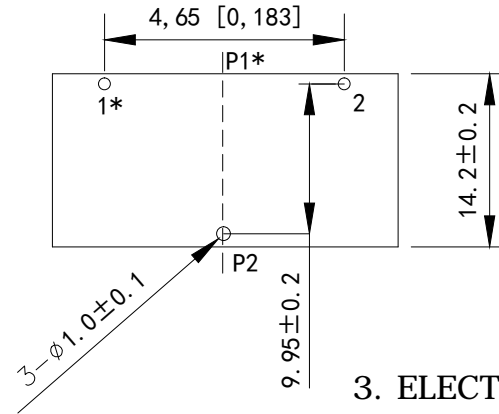
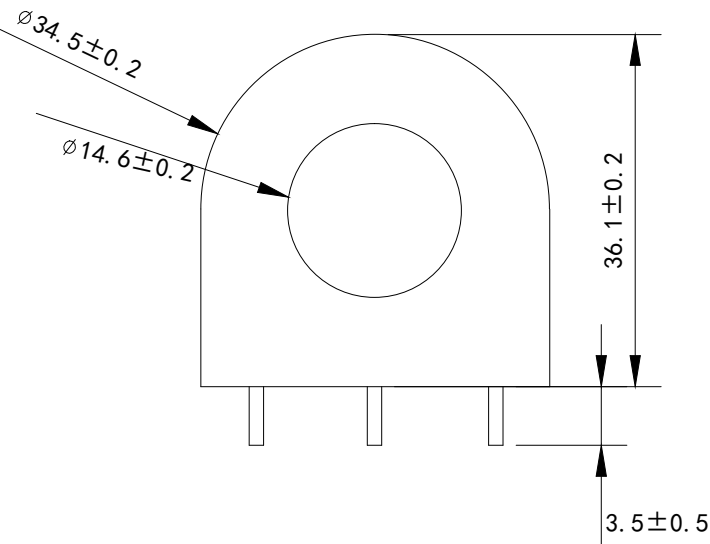
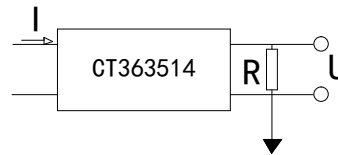
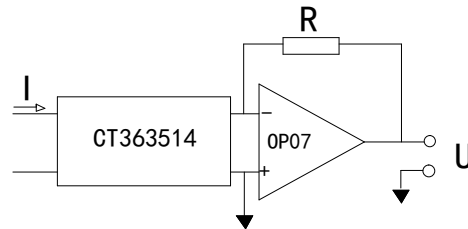


REV.	CHANGGE DESCRIPTION	DATE
A	New Issue	2022-8-30

1. MECHANICAL DIMENSIONS :



2. SCHEMATIC DIAGRAM:



3. ELECTRICAL REQUIREMF @ 25°C

1. Change ratio: 2000:1
2. Rated input current: 5A
3. Rated output current: 2.5mA
4. Load resistor: 100Ω
5. Accuracy level: 0.2级
6. Linear Range: 0~60A (10Ω测2)
7. Rated phase difference: ≤15'分
8. Isolation withstand voltage: 3200V/min
9. insulating strength: 1000MΩ/500V/min
10. Operating temperature: -35°C ~ +75°C
11. Storage temperature: -40°C ~ +80°C
12. Frequency range of use: 0.02-10KHz
13. Installation mode: Primary needle input, secondary needle output
14. Shell material: Engineering Plastics, flame retardant

The above parameters are the power frequency 50Hz ~ 60Hz when the use of the parameter values

NOTE. DIMENSIONS:MM(INCHES)/UNLESS OTHERWISE SPECIFIED ALL TOLERANCES ARE ±0.30(0.012).

RoHS Compliant

TAG

億客科技股份有限公司
ECO TECH CO., LTD.

A4
SIZE

TAG PART NO.:
CT363514

VENDOR PART NO.:

Drawn: Xue Zhang

Designed: Tian Yang

Approved: Deane

Date: 2022-8-30

THESE DRAWINGS AND SPECIFICATIONS ARE THE PROPERTY OF TAG TECHNOLOGY CO., LTD. AND SHALL NOT BE REPRODUCED OR USED AS THE BASIS FOR THE MANUFACTURE OR SELL OF APPARATUSES OR DEVICES WITHOUT PERMISSION.



DESCRIPTION:
Current Transformer

UNIT	mm[inch]	USED ON
SHEET	1 OF 1	REV. A