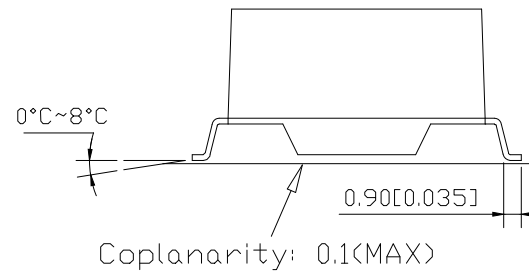
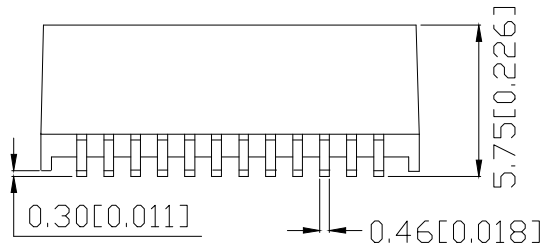
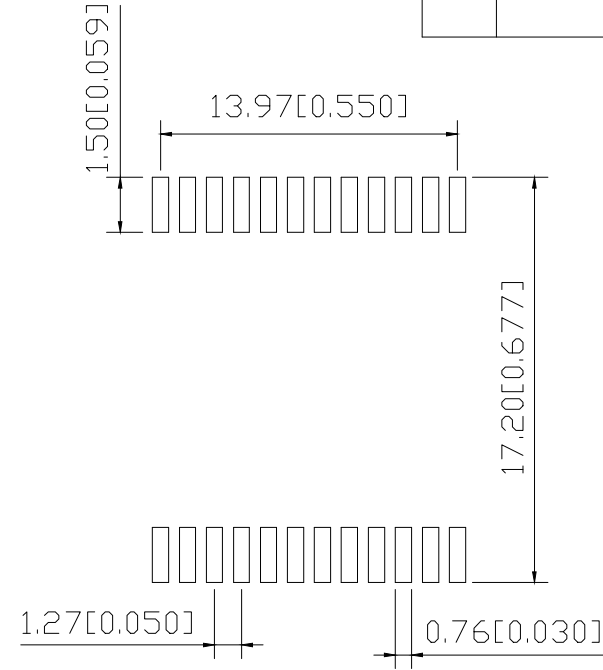
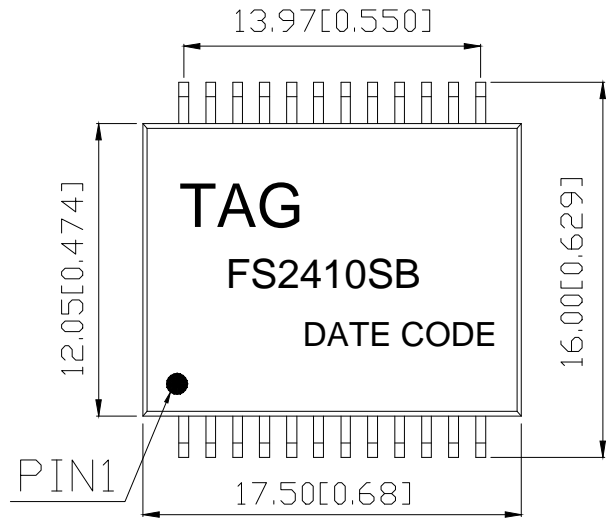


REV.	CHANGGE DESCRIPTION	DATE
A	New Issue	2019-3-7

1. MECHANICAL DIMENSIONS :



RoHS Compliant

NOTE. DIMENSIONS:MM(INCHES)/UNLESS OTHERWISE SPECIFIED ALL TOLERANCES ARE ±0.25(0.010).

TAG 億客科技股份有限公司
ECO TECH CO., LTD.

A4
SIZE

TAG PART NO.:
FS2410SB

VENDOR PART NO.:

Drawn: Rita

Designed: Robin

Approved: Deane

Date: 2019-3-7

THESE DRAWINGS AND SPECIFICATIONS ARE THE PROPERTY OF TAG TECHNOLOGY CO., LTD. AND SHALL NOT BE REPRODUCED OR USED AS THE BASIS FOR THE MANUFACTURE OR SELL OF APPARATUSES OR DEVICES WITHOUT PERMISSION.



DESCRIPTION:
2.5G BASE-T TRANSFORMER MODULES

UNIT mm[inch]

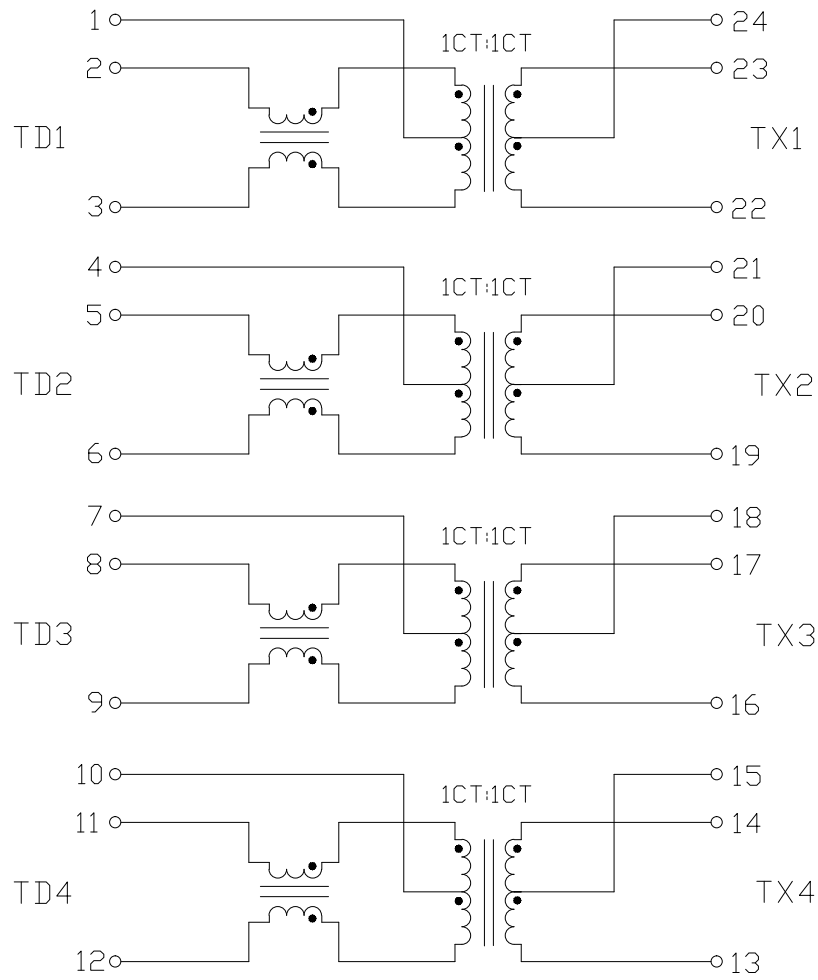
USED ON

SHEET 1 OF 2

REV. A

REV.	CHANGGE DESCRIPTION	DATE
A	New Issue	2019-3-7

2. SCHEMATIC:



3. ELECTRICAL CHARACTERISTICS :

TEST NOTES:(25°±5°C)

- TR:(100KHz,0.1V); 100%
PINS:(2,3):(23,22)=1:1±3%;(5,6):(20,19)=1:1±3%
PINS:(8,9):(17,16)=1:1±3%;(11,12):(14,13)=1:1±3%
- LX:(100KHz,0.1V,8mA, DC Bias) 100%
PINS:(23,22),(20,19),(17,16),(14,13)=150uH MINIMUM
- DCR: 100%
PINS:(2,3),(5,6),(8,9),(11,12)=1.0 Ω MAXIMUM
- HIPOT: 100%
PINS(2,1,3)TO(23,24,22),(5,4,6)TO(20,21,19)=1500VAC FOR 60 SECONDS
PINS(8,7,9)TO(17,18,16),(11,10,12)TO(14,15,13)=1500VAC FOR 60 SECONDS
- INSERTION LOSS:
-1.0dB MAXIMUM AT 1MHz TO 100MHz;
-1.5dB MAXIMUM AT 100MHz TO 125MHz;
-2.5dB MAXIMUM AT 125MHz TO 250MHz;
- RETURN LOSS:
-16dB MINIMUM AT 1MHz TO 40MHz;
-12dB MINIMUM AT 40MHz TO 100MHz;
-11dB MINIMUM AT 100MHz TO 125MHz;
- CROSS TALK
-30dB MINIMUM AT 1MHz TO 100MHz;
-25dB MINIMUM AT 100MHz TO 125MHz;
- COMMON TO COMMON MADE REJECTION:
-30dB MINIMUM AT 1MHz TO 100MHz;
-25dB MINIMUM AT 100MHz TO 125MHz;
- 1.2A CURRENT CAPABILITY.
- OPERATING TEMPERATURE 0C TO +70°C

! 注① : 2.5G BASE-T TRANSFORMER MODULES

RoHS Compliant

TAG 億客科技股份有限公司
ECO TECH CO., LTD.

A4
SIZE

TAG PART NO.:
FS2410SB

VENDOR PART NO.:

Drawn: Rita

Designed: Robin

Approved: Deane

Date: 2019-3-7

THESE DRAWINGS AND SPECIFICATIONS ARE THE PROPERTY OF TAG TECHNOLOGY CO., LTD. AND SHALL NOT BE REPRODUCED OR USED AS THE BASIS FOR THE MANUFACTURE OR SELL OF APPARATUSES OR DEVICES WITHOUT PERMISSION.



DESCRIPTION:
2.5G BASE-T TRANSFORMER MODULES

UNIT mm[inch]
SHEET 2 OF 2

USED ON
REV. A