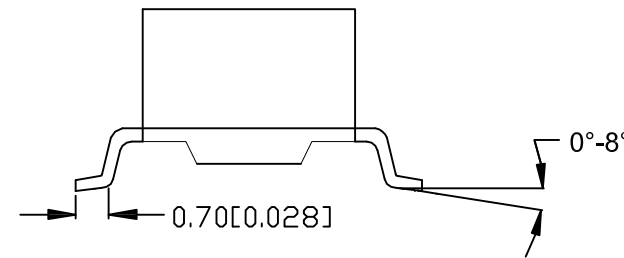
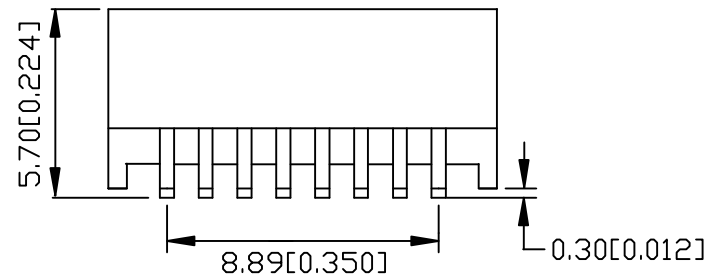
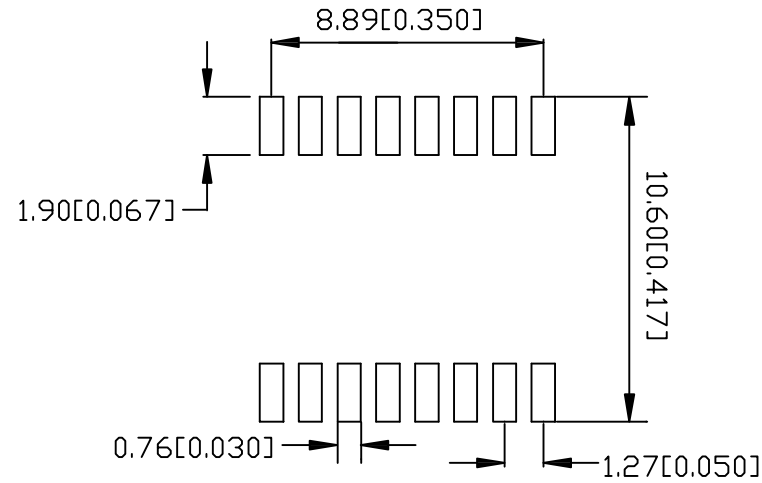
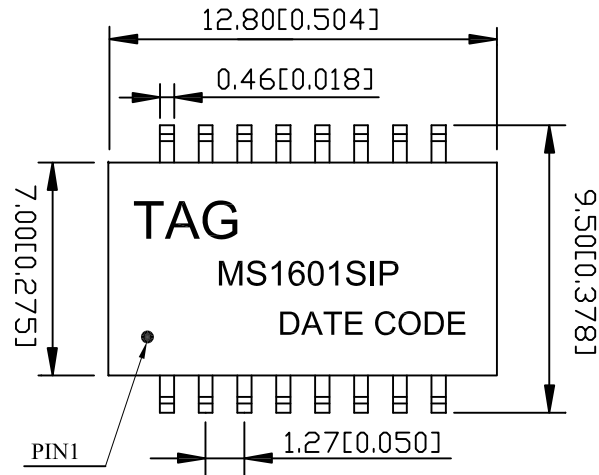


# 1. MECHANICAL DIMENSIONS :

REV.	CHANGGE DESCRIPTION	DATE
A	New Issue	2011-9-13
B	全档改为半档	2015-7-31



RoHS Compliant

NOTE. DIMENSIONS:MM(INCHES)/UNLESS OTHERWISE SPECIFIED ALL TOLERANCES ARE ±0.25(0.010).

**TAG** EKO Tech CO., Ltd.

A4  
SIZE

TAG PART NO.:  
MS1601SIP

VENDOR PART NO.:

Drawn: Rita

Designed: Evan

Approved: Paul Li

Date: 2015-7-31

THESE DRAWINGS AND SPECIFICATIONS ARE THE PROPERTY OF TAG TECHNOLOGY CO., LTD. AND SHALL NOT BE REPRODUCED OR USED AS THE BASIS FOR THE MANUFACTURE OR SELL OF APPARATUSES OR DEVICES WITHOUT PERMISSION.

THIRD ANGLE  
PROJECTION

DESCRIPTION:  
10/100 BASE-T TRANSFORMER MODULES

UNIT mm[inch]

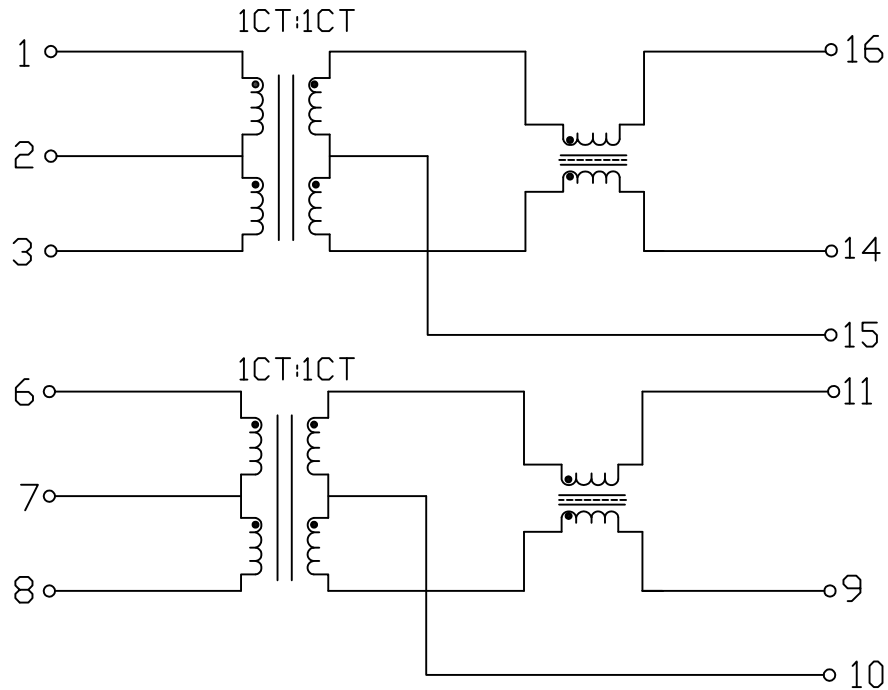
USED ON

SHEET 1 OF 2

REV. B

REV.	CHANGGE DESCRIPTION	DATE
A	New Issue	2011-9-13
B	全档改为半档	2015-7-31

## 2. SCHEMATIC:



## 3. ELECTRICAL CHARACTERISTICS :

TEST NOTES:(25±5°C)

- TR:(100KHz,0.1V)  
PINS:(1,3):(16,14)=1:1±3%;(6,8):(11,9)=1:1±3%
- LX:(100KHz,0.1V,8mA, DC Bias)  
PINS:(1,3),(6,8)=350uH MINIMUM
- DCR  
PINS:(16,14),(11,9) = 1.2Ω MAXIMUM
- HIPOT:  
PINS:(1,2,3) TO PINS:(16,15,14)=1500VAC FOR 60 SECONDS  
PINS:(6,7,8) TO PINS:(11,10,9)=1500VAC FOR 60 SECONDS
- INSERTION LOSS:  
-1.1dB MAXIMUM AT 1MHz TO 100MHz
- RETURN LOSS:  
-18dB MINIMUM AT 0.3MHz TO 30MHz  
-16dB MINIMUM AT 30MHz TO 40MHz  
-14.5dB MINIMUM AT 40MHz TO 50MHz  
-12dNB MINIMUM AT 60MHz TO 80MHz
- CROSS TALK:  
-42dB MINIMUM AT 0.3MHz TO 60MHz  
-35dB MINIMUM AT 60MHz TO 100MHz
- CMRR:  
-40dB MINIMUM AT 0.3MHz TO 30MHz  
-35dB MINIMUM AT 30MHz TO 60MHz  
-30dB MINIMUM AT 80MHz TO 100MHz
- 720mA CURRENT CAPABILITY.
- OPERATING TEMPERATURE -40°C TO +85°C.

RoHS Compliant

**TAG** EKO Tech CO., Ltd.

A4  
SIZE

TAG PART NO.:  
MS1601SIP

VENDOR PART NO.:

Drawn: Rita

Designed: Evan

Approved: Paul Li

Date: 2015-7-31

THESE DRAWINGS AND SPECIFICATIONS ARE THE PROPERTY OF TAG TECHNOLOGY CO., LTD. AND SHALL NOT BE REPRODUCED OR USED AS THE BASIS FOR THE MANUFACTURE OR SELL OF APPARATUSES OR DEVICES WITHOUT PERMISSION.



DESCRIPTION:  
10/100 BASE-T TRANSFORMER MODULES

UNIT mm[inch]  
SHEET 2 OF 2

USED ON  
REV. B