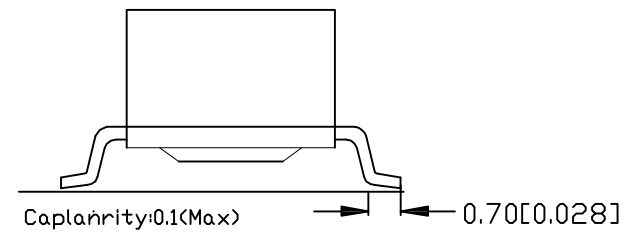
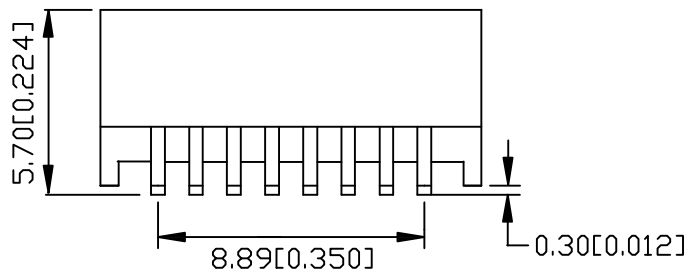
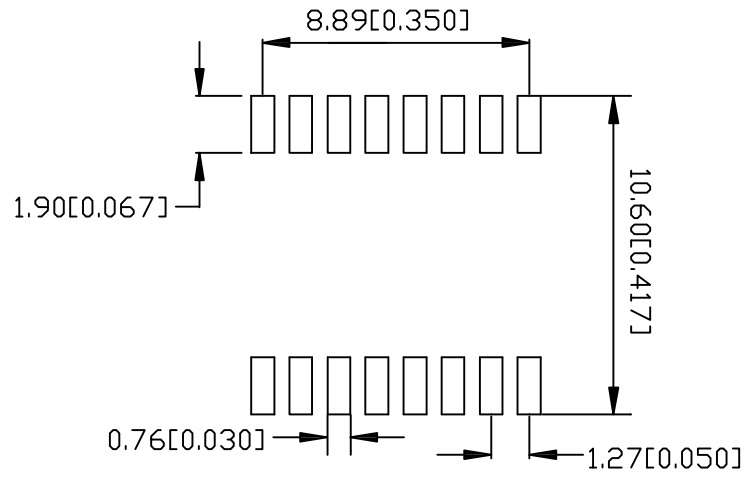
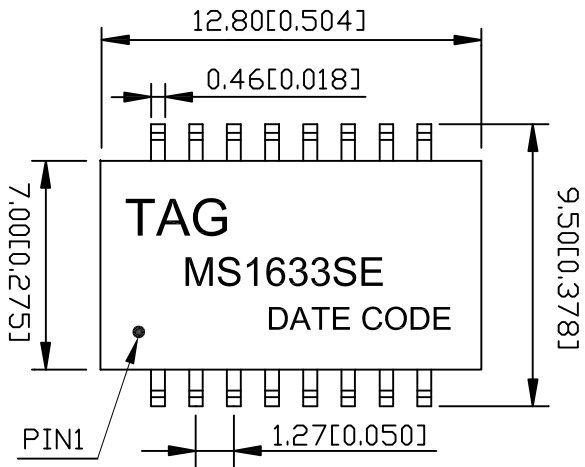


1. MECHANICAL DIMENSIONS :

REV.	CHANGGE DESCRIPTION	DATE
A	New Issue	2019-4-11



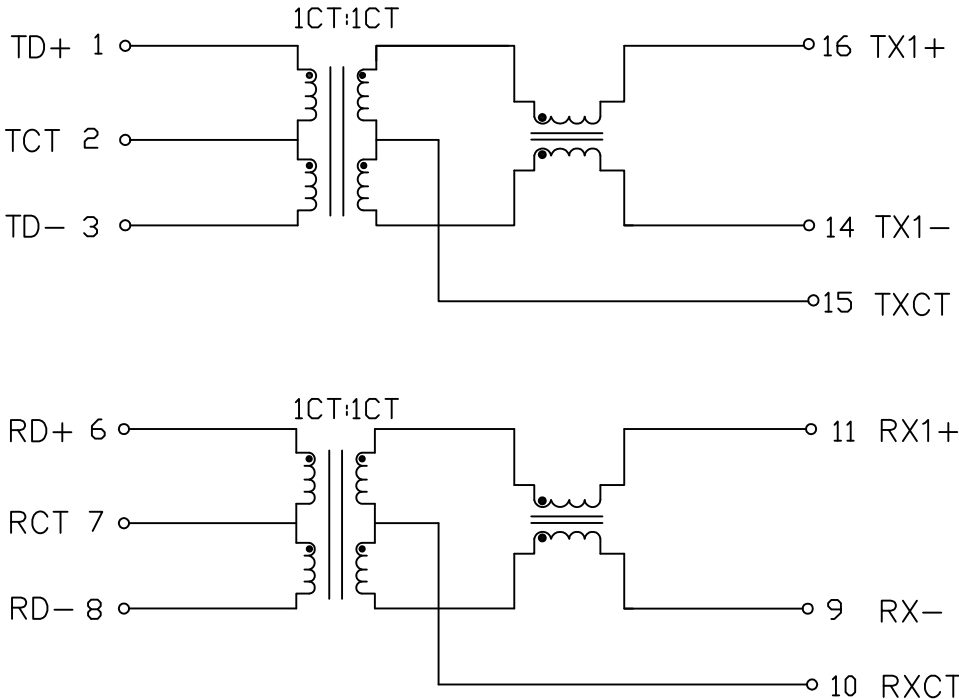
RoHS Compliant

NOTE. DIMENSIONS:MM(INCHES)/UNLESS OTHERWISE SPECIFIED ALL TOLERANCES ARE ±0.25(0.010).

TAG 泰安吉科技(深圳)有限公司 TAG TECHNOLOGY CO., LTD.	A4 SIZE	TAG PART NO.: MS1633SE	VENDOR PART NO.:		Drawn:	Rita
					Designed:	Karen
THESE DRAWINGS AND SPECIFICATIONS ARE THE PROPERTY OF TAG TECHNOLOGY CO., LTD. AND SHALL NOT BE REPRODUCED OR USED AS THE BASIS FOR THE MANUFACTURE OR SELL OF APPARATUSES OR DEVICES WITHOUT PERMISSION.	THIRD ANGLE PROJECTION	DESCRIPTION: BMS TRANSFORMER MODULES	UNIT	mm[inch]	USED ON	Approved: Deane Date: 2019-4-11
			SHEET	1 OF 2	REV.	

REV.	CHANGGE DESCRIPTION	DATE
A	New Issue	2019-4-11

2. SCHEMATIC:



3. ELECTRICAL CHARACTERISTICS :

- TEST NOTES:(25±5°C)
- TR:(100KHz,0.1V)
PINS:(1,3):(16,14)=1:1±3%;(6,8):(11,9)=1:1±2%
 - LX:(100KHz,0.1V)
PINS:(1,3)(6,8)=500uH MINIMUM
 - DCR
PINS:(16,14),(11,9)=1.2Ω MAXIMUM
 - HIPOT:
PINS:(1,2,3)TO PINS:(16,15,14)=2500V/DC MINMUM FOR 60SECONDS
PINS:(6,7,8)TO PINS:(11,10,9)= 2500V/DC MINMUM FOR 60SECONDS
 - INSERTION LOSS:
-1.0dB MAXIMUM AT 1MHz TO 80MHz
-3.0dB MAXIMUM AT 80MHz TO 125MHz
 - RETURN LOSS:
-25dB MINIMUM AT 5MHz TO 5MHz
-8dB MINIMUM AT 30MHz TO 80MHz
 - CROSS TALK:
-35dNB MINIMUM AT 1MHz TO 100MHz
 - COMMON MODE REJECTION:
-22dB MINIMUM AT 5MHz TO 200MHz
 - OPERATING TEMPERATURE -40°C TO +125°C.
 - WORKING VOLTAGE: 600VDC FOR 15 YEARS

RoHS Compliant

泰安吉科技(深圳)有限公司 TAG TECHNOLOGY CO., LTD.	A4 SIZE	TAG PART NO.: MS1633SE	VENDOR PART NO.:		Drawn:	Rita
			UNIT	mm[inch]	USED ON	Designed:
THESE DRAWINGS AND SPECIFICATIONS ARE THE PROPERTY OF TAG TECHNOLOGY CO., LTD. AND SHALL NOT BE REPRODUCED OR USED AS THE BASIS FOR THE MANUFACTURE OR SELL OF APPARATUSES OR DEVICES WITHOUT PERMISSION.	THIRD ANGLE PROJECTION	DESCRIPTION: BMS TRANSFORMER MODULES	SHEET	2 OF 2	REV.	A
			Approved:	Deane	Date:	2019-4-11