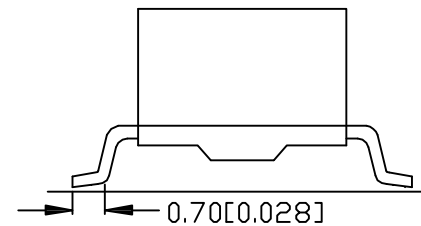
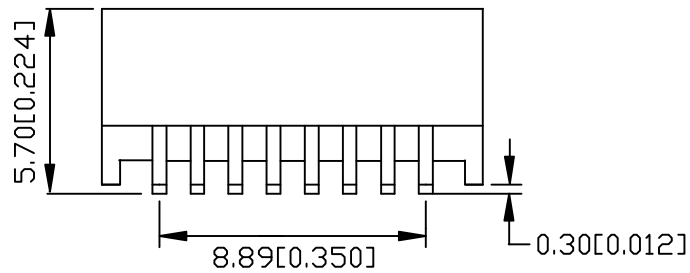
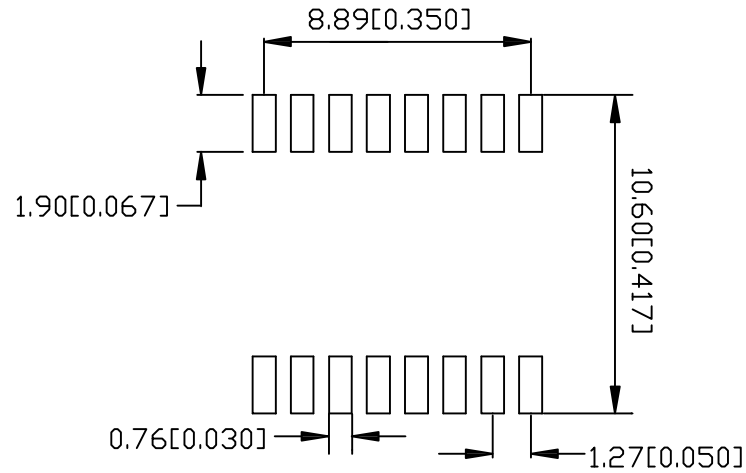
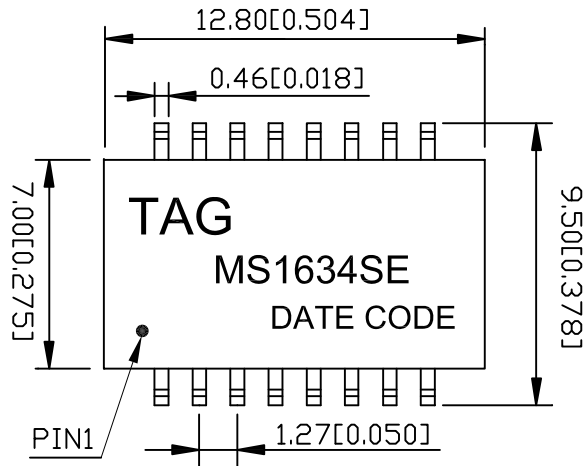


# 1. MECHANICAL DIMENSIONS :

REV.	CHANGGE DESCRIPTION	DATE
A	New Issue	2019-7-3



Coplanrity:0.1(Max)

RoHS Compliant

NOTE: DIMENSIONS : MM(INCHES)/ UNLESS OTHERWISE SPECIFIED ALL TOLERANCES ARE ±0.25(0.010).

**TAG**

億客科技股份有限公司  
ECO TECH CO., LTD.

A4  
SIZE

TAG PART NO.:  
MS1602SE

VENDOR PART NO.:

Drawn: 张雪

Designed: 杨田

Approved: Deane

Date: 2019-7-3

THESE DRAWINGS AND SPECIFICATIONS ARE THE PROPERTY OF TAG TECHNOLOGY CO., LTD. AND SHALL NOT BE REPRODUCED OR USED AS THE BASIS FOR THE MANUFACTURE OR SELL OF APPARATUSES OR DEVICES WITHOUT PERMISSION.

THIRD ANGLE  
PROJECTION

DESCRIPTION:  
10/100 BASE-T TRANSFORMER MODULES

UNIT mm[inch]

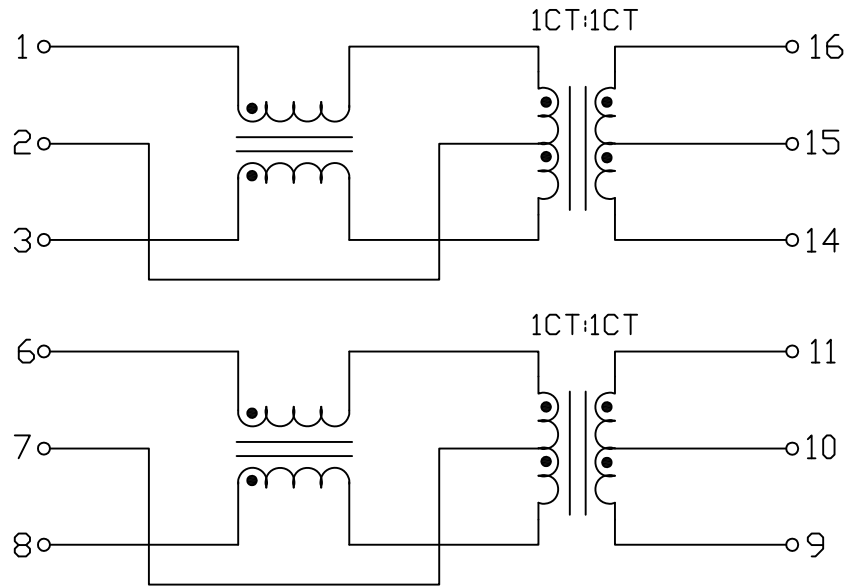
USED ON

SHEET 1 OF 2

REV. A

REV.	CHANGGE DESCRIPTION	DATE
A	New Issue	2019-7-3

## 2. SCHEMATIC:



## 3. ELECTRICAL CHARACTERISTICS :

TEST NOTES:( $25^{\circ}\pm 5^{\circ}\text{C}$ )

- TR:(100KHz,0.1V)  
PINS:(1,3):(16,14)= $1\pm 3\%$ ;(6,8):(11,9)= $1\pm 3\%$
- LX:(100KHz, 0.1V,8mA, DC Bias)  
PINS:(1,3)(6,8)=350uH MINIMUM
- DCR  
PINS:(16,14)(11,9)= $1.2\Omega$  MAXIMUM
- HIPOT:  
PINS:(1,2,3) TO PINS:(16,15,14)=1500VAC FOR 60 SECONDS  
PINS:(6,7,8) TO PINS:(11,10,9)=1500VAC FOR 60 SECONDS
- INSERTION LOSS:  
-1.1dB MAXIMUM AT 0.3MHz TO 100MHz
- RETURN LOSS:  
-18dB MINIMUM AT 1MHz TO 30MHz  
-13.6dB MINIMUM AT 30MHz TO 50MHz  
-12dB MINIMUM AT 60MHz TO 80MHz
- CROSS TALK:  
-35dB MINIMUM AT 1MHz TO 100MHz
- COMMON TO COMMON MODE REJECTION:  
-35dB TYP AT 1MHz TO 100MHz
- OPERATING TEMPERATURE  $-40^{\circ}\text{C}$  TO  $+125^{\circ}\text{C}$ .

RoHS Compliant

**TAG** 億客科技股份有限公司  
ECO TECH CO., LTD.

A4  
SIZE

TAG PART NO.:  
MS1602SE

VENDOR PART NO.:

Drawn: 张雪

Designed: 杨田

Approved: Deane

Date: 2019-7-3

THESE DRAWINGS AND SPECIFICATIONS ARE THE PROPERTY OF TAG TECHNOLOGY CO., LTD. AND SHALL NOT BE REPRODUCED OR USED AS THE BASIS FOR THE MANUFACTURE OR SELL OF APPARATUSES OR DEVICES WITHOUT PERMISSION.



DESCRIPTION:  
10/100 BASE-T TRANSFORMER

UNIT	mm[inch]	USED ON	
SHEET	2 OF 2	REV.	A