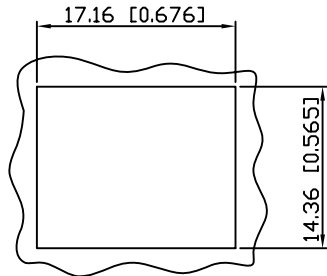
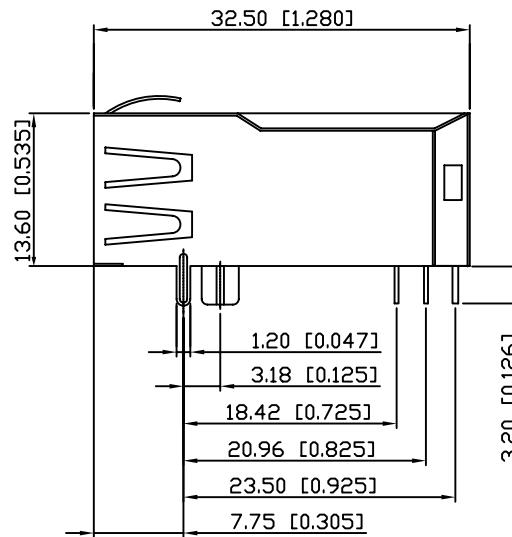
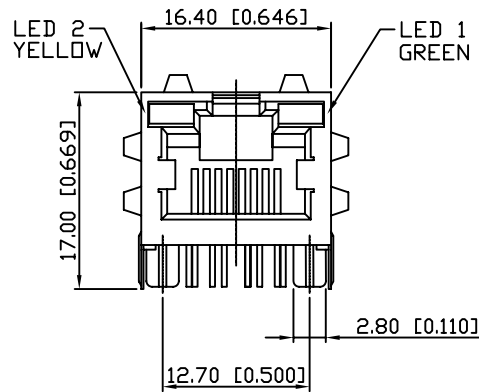
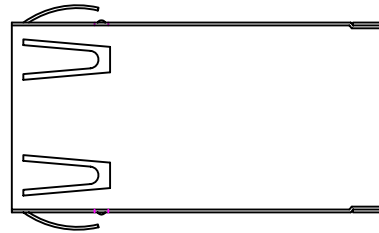


1. MECHANICAL DIMENSIONS :

REV.	CHANGGE DESCRIPTION	DATE
A	New Issue	2017-4-16



RECOMMENDED
PANEL CUTOUT DIMENSION



NOTES:

1. MATERIALS:

HOUSING: PBT POLYESTER, UL94V-0, BLACK
CONTACTS: 0.35mm THICK PHOS-BRONZE PLATED WITH 50u" GOLD AND TIN IN SOLDER AREA.

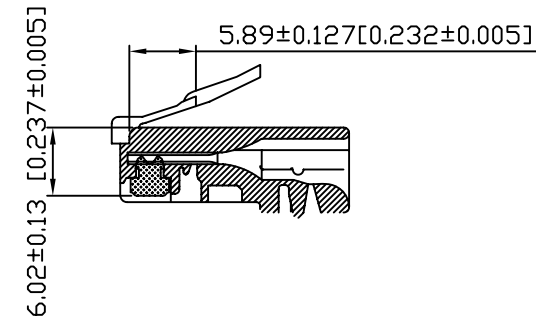
SHIELD: 0.25mm THICK COPPER ALLOY, PLATED WITH NICKEL.

2. OPERATING TEMPERATURE: 0°C TO +70°C

3. CAVITY CONFORMS TO FCC RULES AND REGULATIONS PART 68, SUBPART F.

4. UNSPECIFIED TOLERANCE: .XX ±0.25 [0.010] .X ±0.30 [0.012]

RECOMMENED PLUG DIMENSION:



RoHS Compliant

TAG 泰安吉科技(深圳)有限公司
TAG TECHNOLOGY CO., LTD.

A4
SIZE

TAG PART NO.:
T04-011-D01-015

VENDOR PART NO.:

Drawn: Rita

Designed: Robin

Approved: Deane

Date : 2017-4-16

THESE DRAWINGS AND SPECIFICATIONS ARE THE PROPERTY OF TAG TECHNOLOGY CO., LTD. AND SHALL NOT BE REPRODUCED OR USED AS THE BASIS FOR THE MANUFACTURE OR SELL OF APPARATUSES OR DEVICES WITHOUT PERMISSION.

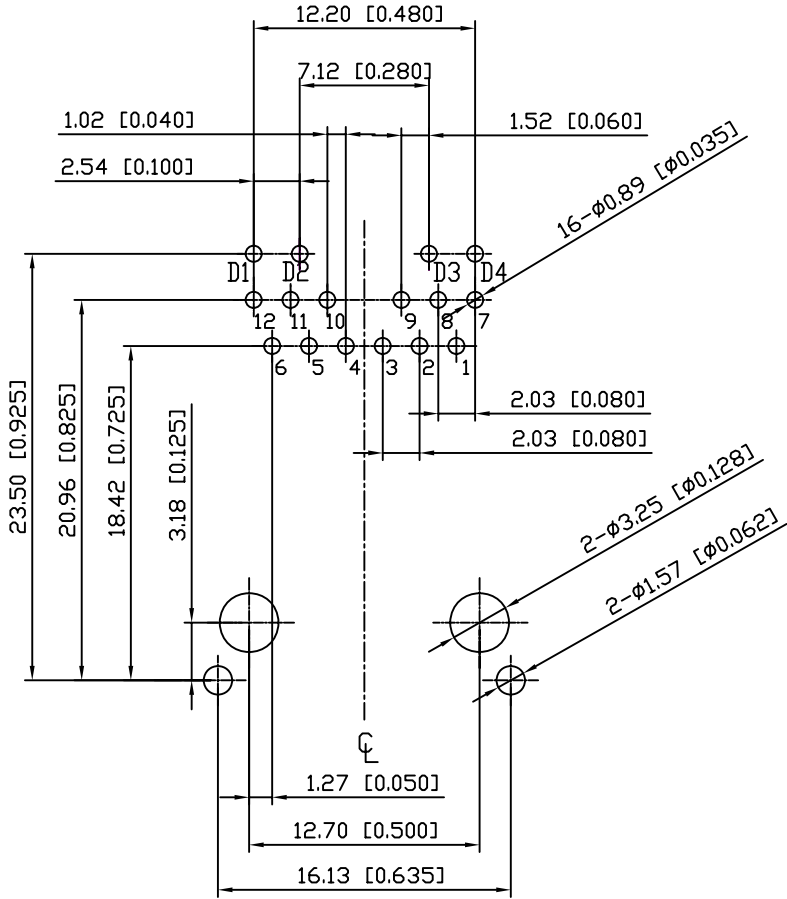
THIRD ANGLE
PROJECTION

DESCRIPTION:
5G Base-T RJ45

UNIT mm[inch] USED ON
SHEET 1 OF 3 REV. A

REV.	CHANGGE DESCRIPTION	DATE
A	New Issue	2017-4-16

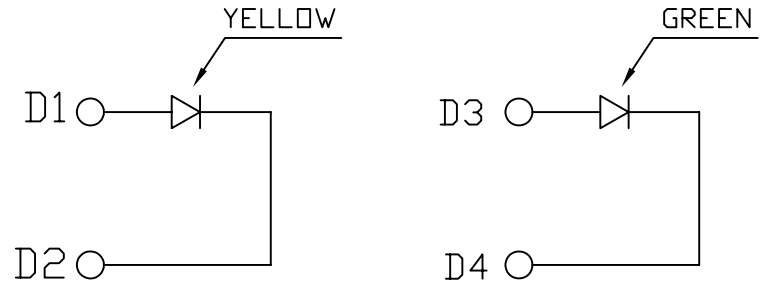
2. PCB LAYOUT :



SUGGESTED PCB LAYOUT
TOP VIEW

DIMENSIONAL TOLERANCE: .XX ±0.08[0.003]

3. LED CONFIGURATION :



TAG

泰安吉科技(深圳)有限公司
TAG TECHNOLOGY CO., LTD.

A4
SIZE

TAG PART NO.:
T04-011-D01-015

VENDOR PART NO.:

Drawn: Rita

Designed: Robin

THESE DRAWINGS AND SPECIFICATIONS ARE THE PROPERTY OF TAG TECHNOLOGY CO., LTD. AND SHALL NOT BE REPRODUCED OR USED AS THE BASIS FOR THE MANUFACTURE OR SELL OF APPARATUSES OR DEVICES WITHOUT PERMISSION.

THIRD ANGLE
PROJECTION

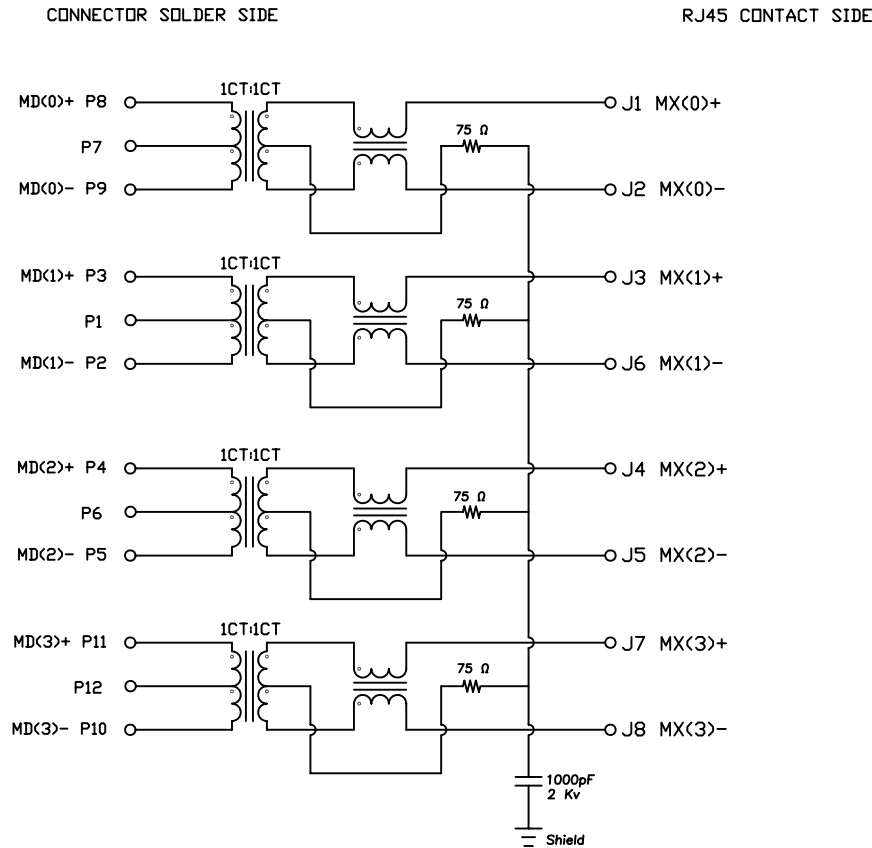
DESCRIPTION:
5G Base-T RJ45

UNIT	mm	USED ON	
SHEET	2	OF	3

Approved: Deane

Date : 2017-4-16

4. SCHEMATIC:



T04-011-D01-015

PRODUCT SERIES
LED COLOR OPTION
LED POLARITY
CIRCUIT TYPE
8CORE 5G Mbps
TERMINAL CONTACT AREAR PLATING CODE
2 Au 50u"

REV.	CHANGGE DESCRIPTION	DATE
A	New Issue	2017-4-16

5. ELECTRICAL CHARACTERISTICS :

TEST NOTES:(25°±5°C)

- TR:(100KHz,0.1V);
PINS:(P8,P9)<(J1,J2)=1:1±3%;(P3,P2)<(J3,J6)=1:1±3%
PINS:(P4,P5)<(J4,J5)=1:1±3%;(P11,P10)<(J7,J8)=1:1±3%
- LX:(100KHz,100mV, DC Bias)
PINS:(P8,P9)<(P3,P2)<(P4,P5)<(P11,P10)=140uH MINIMUM
- DCR:
PINS:(J1,J2)<(J3,J6)<(J4,J5)<(J7,J8)=1.2 Ω MAXIMUM
- HIPOT:
PINS(P8,P9)TO<(J1,J2)<(P3,P2)TO<(J3,J6)=2250VDC FOR 60 SECONDS
PINS(P4,P5)TO<(J4,J5)<(P11,P10)TO<(J7,J8)=2250VDC FOR 60 SECONDS
- INSERTION LOSS:
-1.0dB Max AT 1MHz TO 100MHz
-2.0dB Max AT 100MHz TO 200MHz
-3.0dB Max AT 200MHz TO 400MHz
-4.0dB Max AT 400MHz TO 500MHz
- RETURN LOSS:
-16dB Min AT 1MHz TO 40MHz
-10dB Min AT 40MHz TO 100MHz
-7dB Min AT 200MHz TO 400MHz
-5dB Min AT 400MHz TO 500MHz
- Cross Talk:
-30dB Min AT 1MHz TO 100MHz
-16dB Min AT 100MHz TO 500MHz

TAG 泰安吉科技(深圳)有限公司
TAG TECHNOLOGY CO., LTD.

A4
SIZE

TAG PART NO.:
T04-011-D01-015

VENDOR PART NO.:

Drawn: Rita

Designed: Robin

Approved: Deane

Date : 2017-4-16

THESE DRAWINGS AND SPECIFICATIONS ARE THE PROPERTY OF TAG TECHNOLOGY CO., LTD. AND SHALL NOT BE REPRODUCED OR USED AS THE BASIS FOR THE MANUFACTURE OR SELL OF APPARATUSSES OR DEVICES WITHOUT PERMISSION.



DESCRIPTION:
5G Base-T RJ45

UNIT mm USED ON
SHEET 3 OF 3

REV. A